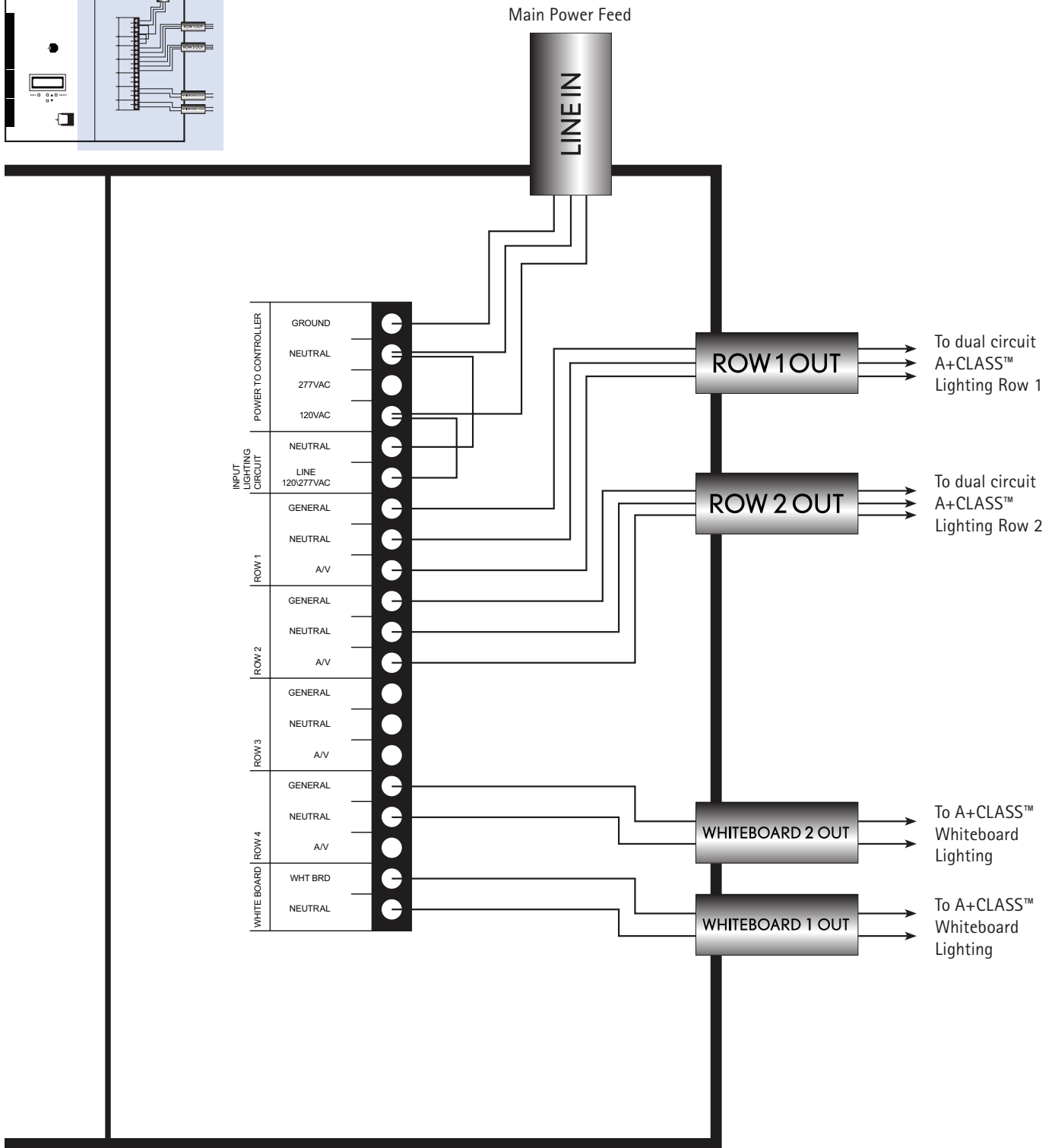
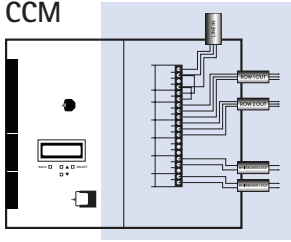


CCM



**PRECAUTION:** Installation must be performed by qualified professional electrician in accordance with all local, state and national codes.