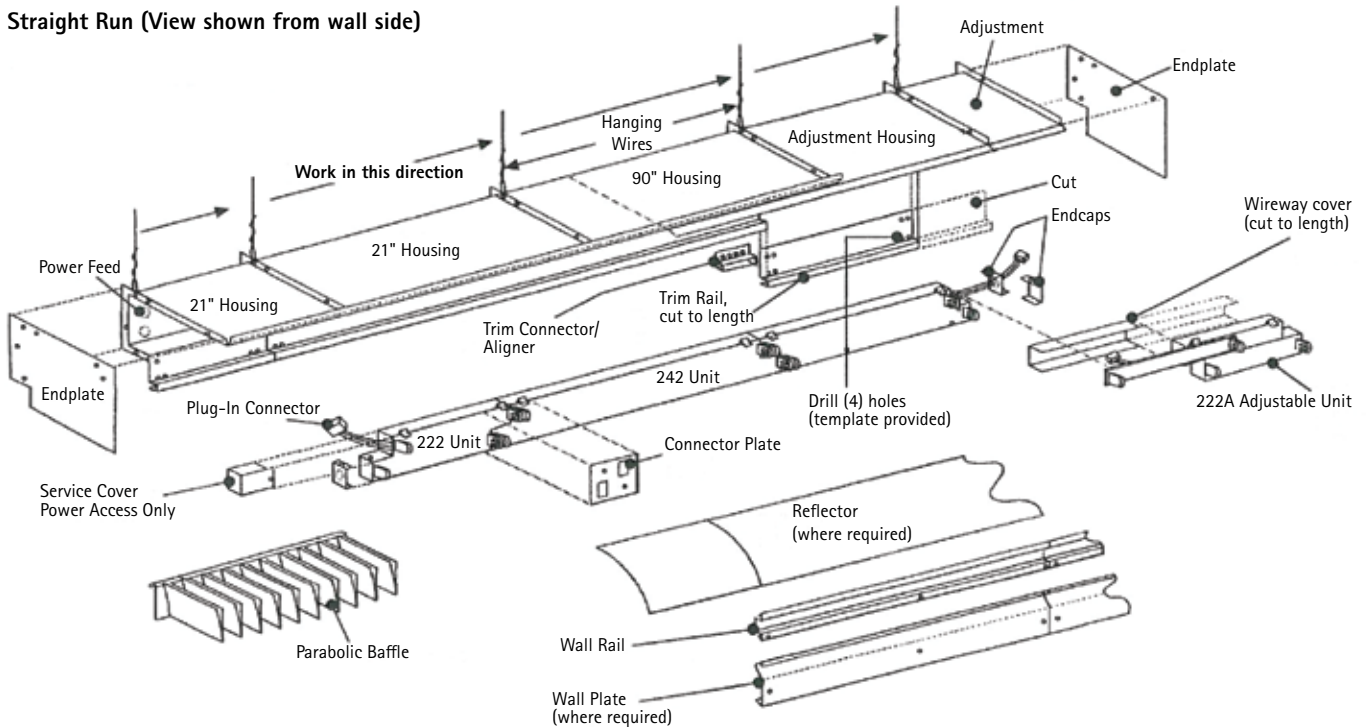


## INSTALLATION DATA

### Straight Run (View shown from wall side)



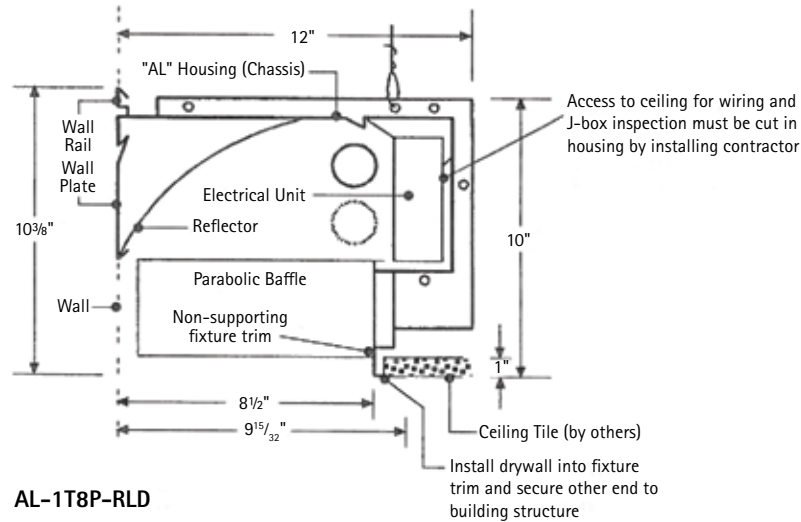
### General

1. Fasteners not provided for wall rail or wall plates.
2. All fasteners provided for housing, endplates, connector/aligners and electrical unit connections.
3. Pieces requiring a field cut: **Wall Rail** (steel), **Wall Plate** (steel), **Trim Rail** (aluminum), **Wireway Cover** (aluminum) and **Diffusers** (plastic, steel, or aluminum)

### Housing (CAUTION: For hard ceiling applications, see page 4.)

1. Install **wall rails** (see next page), fasteners **not** provided.
2. Install **wall plates** if required. Fasteners **not** provided.
3. Starting from right end of row (facing wall) install **endplate** on first (shortest) housing with screws and nuts provided.
4. Install first (shortest) **housing** and work to left installing progressively longer housings.
5. Top lip of **housings** tip into upper hook form of wall rail. Secure housing firmly in place by flattening **wall rail bend tab** over housing lip.
6. Connect hanging wires loosely.
7. Install each successive housing (shortest to longest) in similar manner, connecting housings with screws and nuts provided and then hang loosely on hanging wires.
8. Also install **trim connector/aligners** at each joint as row installation progresses.
9. Install endplate on adjustable housing into last "fixed length" housing and hang entire assembly as a unit. Adjustable housing is then pulled out to required dimension.
10. Square-cut **trim rail** for adjustable housing to required length; drill four (4) each  $\frac{7}{32}$ " holes using template provided and install with sheet metal screws.
11. Level entire row on hanging wires.

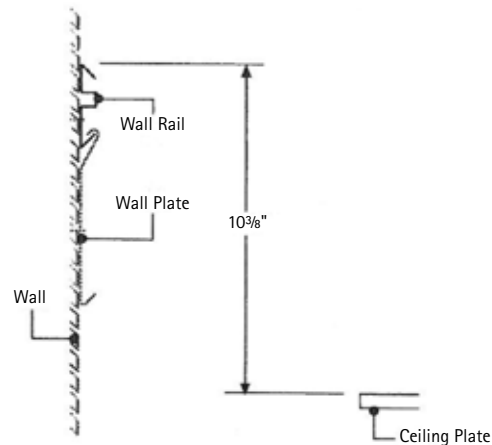
## INSTALLATION DATA



### Step One - Install Wall Rail

#### Electrical

1. Mount wall rail to wall 10<sup>3</sup>/<sub>8</sub>" from finished ceiling plane to top of wall rail. Fasteners not provided. Wall rail furnished in 90" sections.
2. Where applicable, hook wall plate over bottom lip of wall rail and fasten to wall.
3. Install AL components per instructions.
4. Important: To save steps and time:
  - A. Start at the right end of each row facing the wall and work left and
  - B. Install smallest (lower wattage) housings and electrical units first and then work up to the largest units.

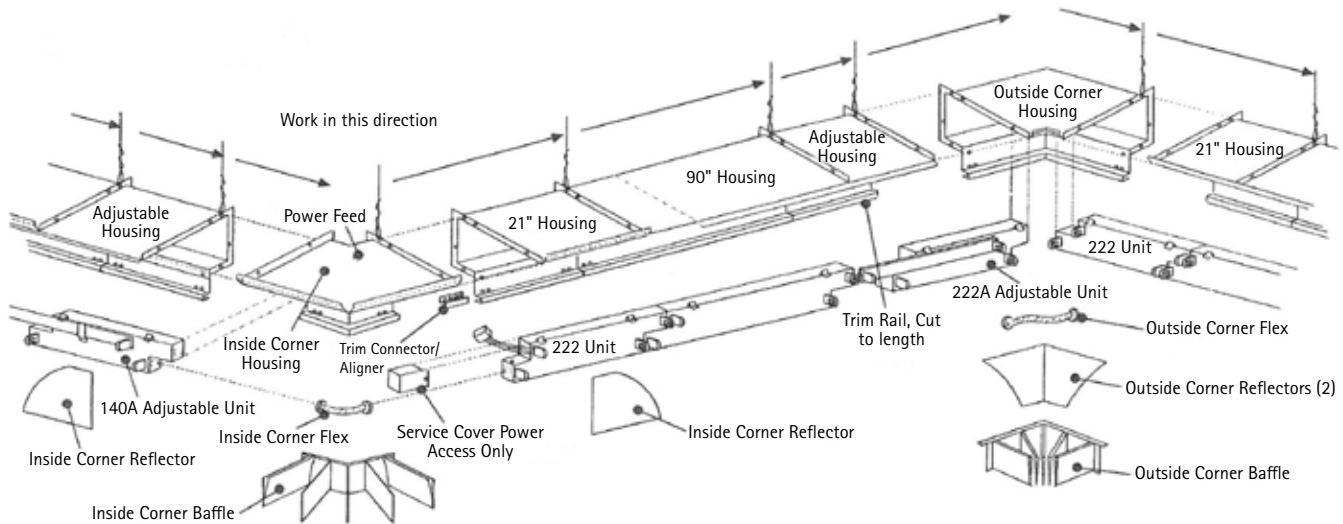


#### Electrical

1. Starting from right end of row (facing wall), snap in place electrical unit, starting with lowest wattage (shortest) and progressing to AL242 units (longest)
2. Each unit has polarized plug-in connector. After wire connections, secure units together with connector plate that slips over lampholders. Screws are provided.
3. Power feed is at end of row. Clip off plug to make connections. Install service cover and endcaps.
4. Determine length for snap-on wireway cover for **adjustable unit**. Cut **wireway cover**, plug in wiring connection and snap adjustable unit into place.
5. Install **clip** to hold **222A Adjustable Unit** in place.
6. Install lamps.
7. Install **lamp shield**.
8. Where required, snap in **reflectors**. Reflectors overlap at adjustable unit.

#### Diffusers

1. Install plastic shielding, louver, or parabolic baffle. Cut last piece to fit. **Note:** On **parabolic baffle**, it may be necessary to cut the last two (2) baffles to maintain an even baffle spacing appearance.
2. Plastic or louver lays in place: parabolic baffle cantilevers off lip trim rail.
3. **Important:** Cut final plastic piece **after** sufficient lamp or building warm-up to allow for plastic expansion.

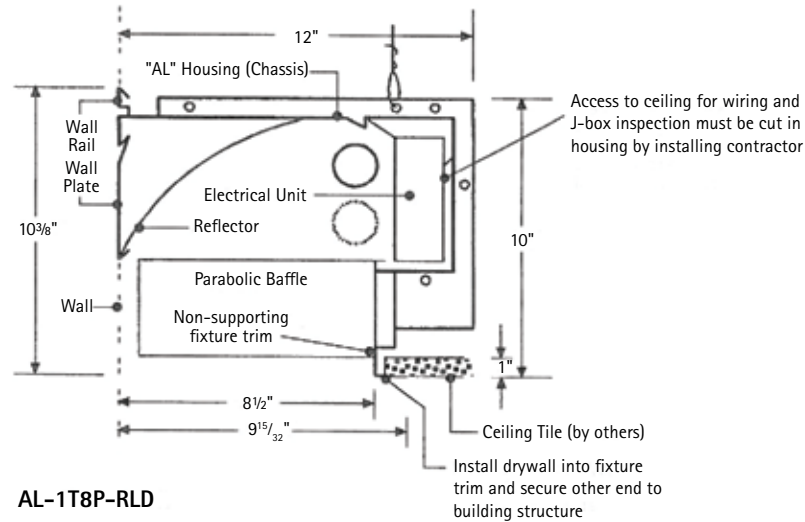
**INSTALLATION DATA**
**Pattern with Corners (View shown from wall side)**


**Note:** Wall Rail and Wall Plate not shown (see below)

**Special Notes for Patterns with Corners**

1. **Housings:** When installing patterns with corners, install **corner housings** first after the installation of all wall rails (and wall plates). Then proceed with each straight run per above.
2. **Electrical:** (a) AL row lengths are pre-calculated to provide ample light in corners. Be sure electrical units extend fully into corners before field cutting. (b) For corners requiring a continuous circuit **around** corner, a pre-cut flex conduit connector kit is provided
3. **Diffusers:** Plastic for corners has pre-cut 45 angles. Install angled corner pieces first and then straight-cut final remaining piece to fit.

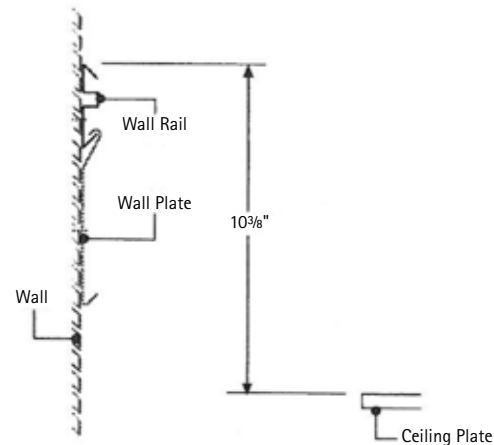
## INSTALLATION DATA



### Step One - Install Wall Rail

#### Electrical

1. Mount wall rail to wall 10 3/8" from finished ceiling plane to top of wall rail. Fasteners not provided. Wall rail furnished in 90" sections.
2. Where applicable, hook wall plate over bottom lip of wall rail and fasten to wall.
3. Install AL components per instructions.
4. Important: To save steps and time:
  - A. Start at the right end of each row facing the wall and work left and
  - B. Install smallest (lower wattage) housings and electrical units first and then work up to the largest units.



#### Electrical

1. Starting from right end of row (facing wall), snap in place **electrical unit**, starting with lowest wattage (shortest) and progressing to AL242 units (longest).
2. Each unit has a polarized **plug-in connector**. After wire connections, secure units together with **connector plate** that slips over lampholders. Screws are provided.
3. Power feed is at end of row. Clip off plug to make connections. Install **service cover** and **endcaps**.
4. Determine length for snap-on **wireway cover** for **adjustable unit**. Cut **wireway cover**, plug in wiring connection and snap adjustable unit into place.
5. Install **clip** to hold **222A Adjustable Unit** in place.
6. Install lamps.
7. Install **lamp shield**.
8. Where required, snap in **reflectors**. Reflectors overlap at adjustable unit.

#### Diffusers

1. Install plastic shielding, louver, or parabolic baffle. Cut last piece to fit. **Note:** On **parabolic baffle**, it may be necessary to cut the last two (2) baffles to maintain an even baffle spacing appearance.
2. Plastic or louver lays in place; parabolic baffle cantilevers off lip trim rail.
3. **Important:** Cut final piece **after** sufficient lamp or building warm-up to allow for plastic expansion.