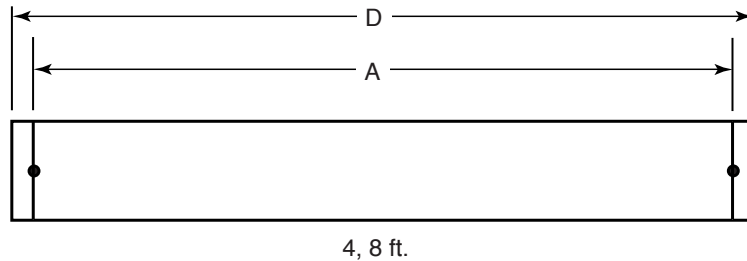
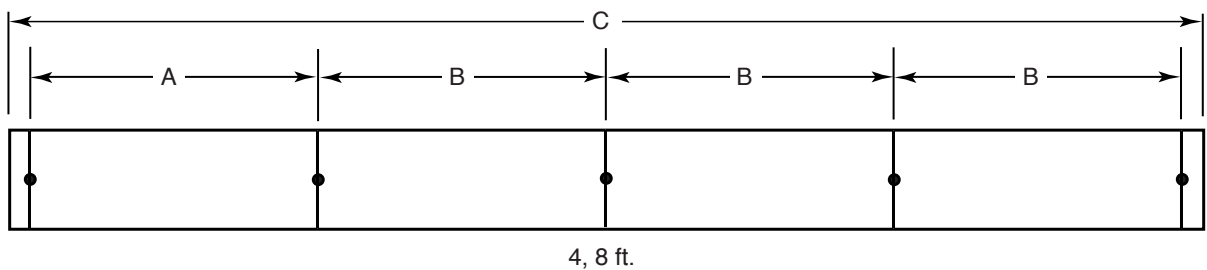


SINGLE MOUNTING



ROW MOUNTING



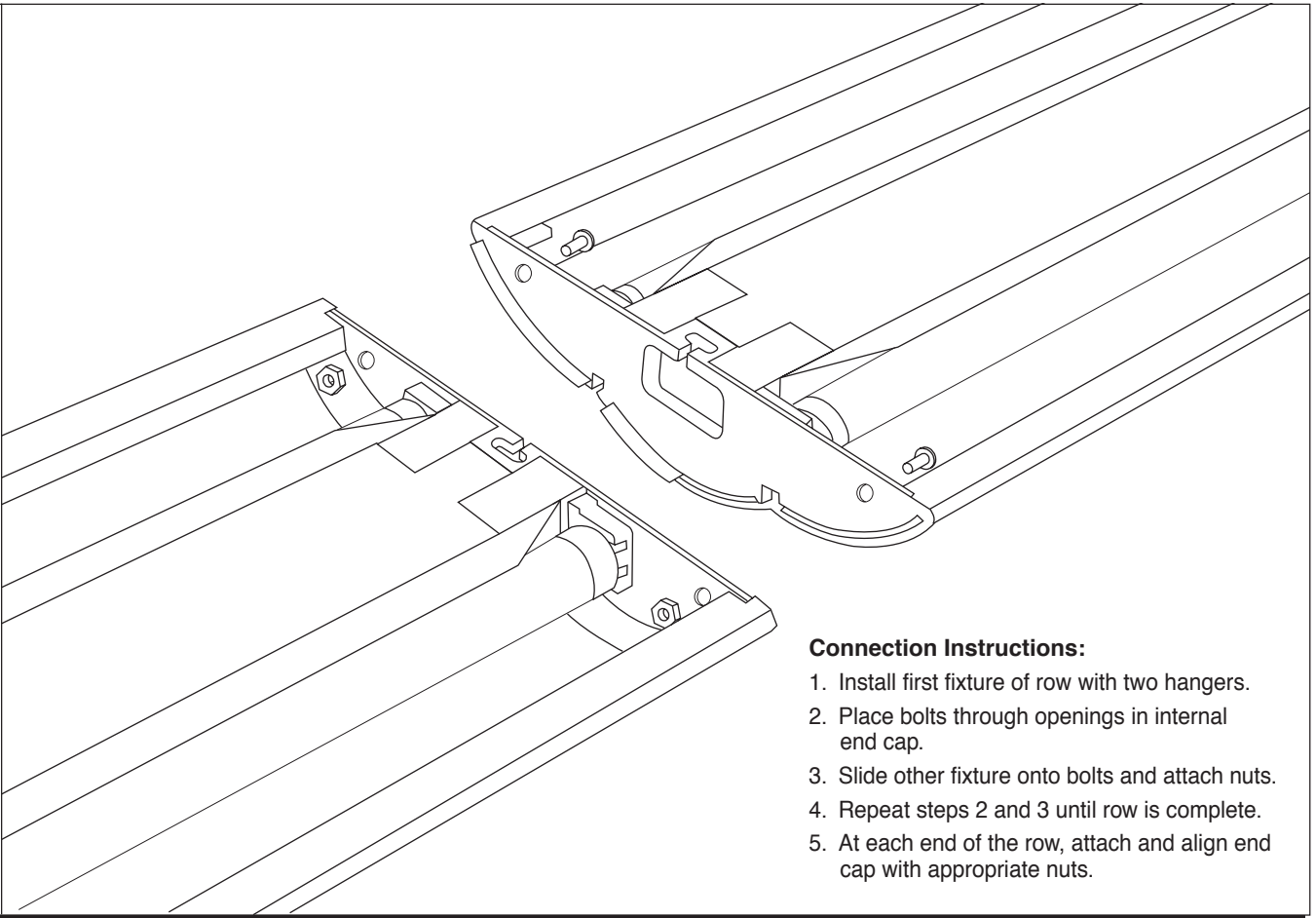
DATA CHART

Nominal Length	Approx. Weight 2-lamp	A	B	C	D
4'	11 lbs.	47 ¹ / ₄ "	48"	192 ⁵ / ₈ "	48 ⁵ / ₈ "
8'	20 lbs.	95 ¹ / ₄ "	96"	384 ⁵ / ₈ "	96 ⁵ / ₈ "

Note: Suspension data is computed using the standard aircraft cable assembly and flat end caps. The use of rigid stems will yield different data. Please consult factory for stem data.

TECHNICAL INSTALLATION DATA

FIXTURE CONNECTIONS



Connection Instructions:

1. Install first fixture of row with two hangers.
2. Place bolts through openings in internal end cap.
3. Slide other fixture onto bolts and attach nuts.
4. Repeat steps 2 and 3 until row is complete.
5. At each end of the row, attach and align end cap with appropriate nuts.

SUSPENSION ATTACHMENT

Suspension Instructions for Adjustable or Fixed Hanger:

1. Move nut to bottom of cable assembly.
2. Slide cable hanger into slot on inner end plate.
3. Pull up on cable assembly and rotate clockwise to tighten. (Secure and tighten upper nut on fixed hangers.)
4. For horizontal adjustment, slide hanger in slot on inner end plate.

