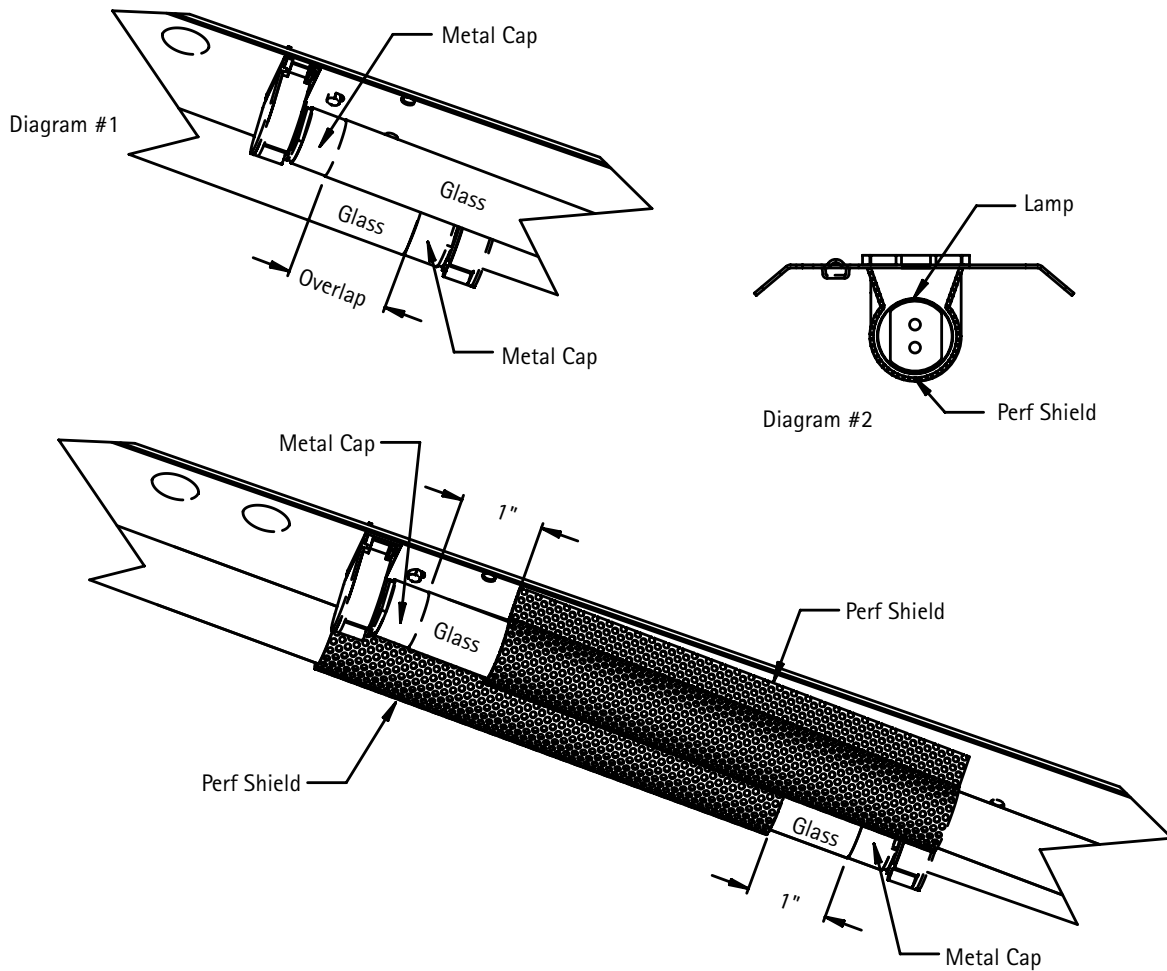


INSTALLATION DATA


1. Remove fixture shielding (lens, baffle, louver, etc.)
2. Install lamps and measure the distance of the overlap from the metal base of one lamp to the metal base of the other. See Diagram 1.
3. Use the proper Perf Shield according to the following chart:

Lamp overlap (diagram 1)	Shield Length
<2"	No Shield Required
4" to 5½"	3"
>5½"	5"

4. Remove lamp and slide perf shield over end of lamp.
5. Orient perf shield as shown in diagram 2 and reinstall lamp(s). After installing the lamp, slide the shield along the lamp until it is positioned approximately 1" from the metal lamp base as shown in diagram 3.
6. Make sure a shield is installed on each lamp end.

If lamps are supplied, please see applicable warning below:

Warning: This product contains chemicals known to the state of California to cause cancer, birth defects, and /or other reproductive harm. Thoroughly wash hands after installing, cleaning or otherwise touching this product.