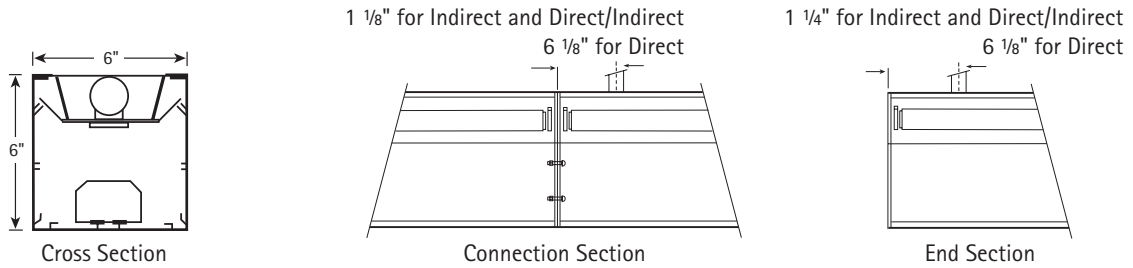
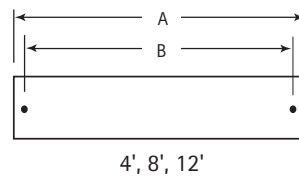
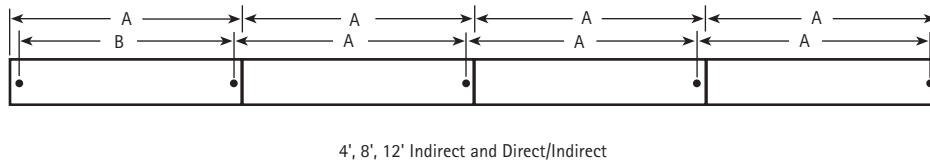
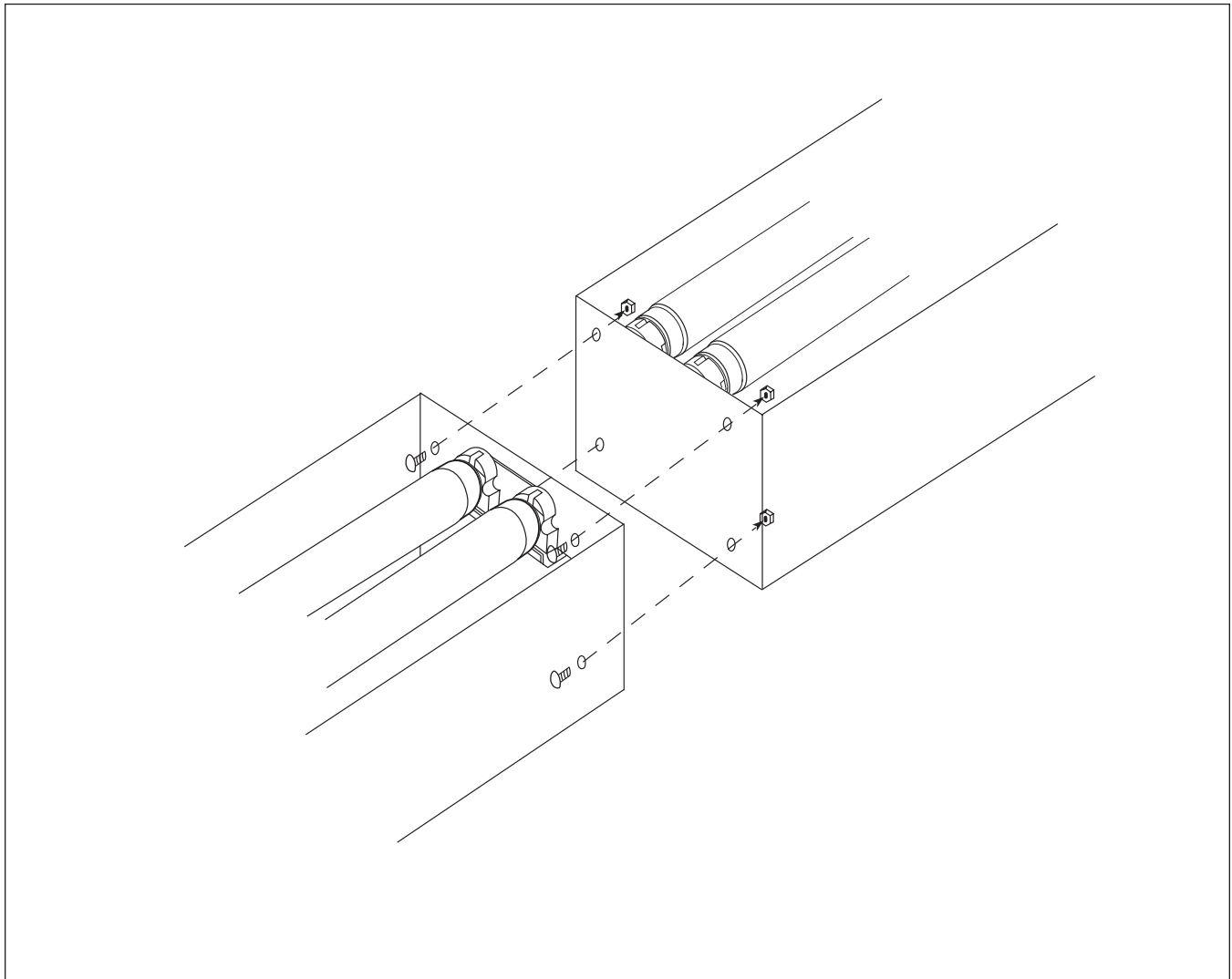


**SECTIONS**

**SINGLE MOUNTING (TYPICAL)**

**ROW MOUNTING**

**FACTORY STANDARD (TYPICAL ROW)**

**DATA CHART**

Nominal Length	Weight	A	B
4'	26 lbs.	48 1/4"	36"
8'	49 lbs.	96 1/4"	84"
12'	71 lbs.	144 1/4"	132"



**4 x 4 Pattern**

