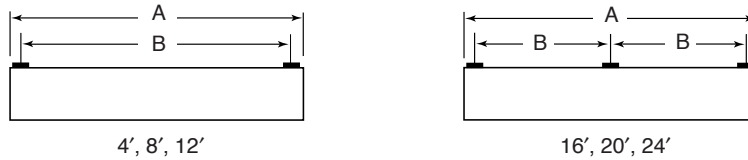
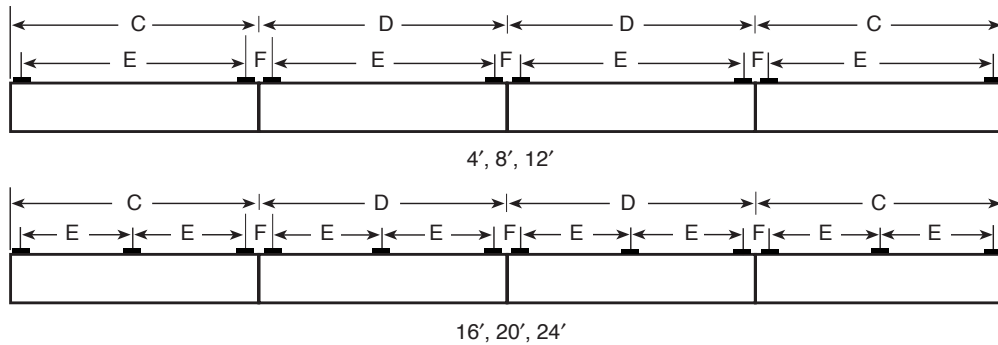


SINGLE MOUNTING (TYPICAL)



ROW MOUNTING



FACTORY STANDARD (TYPICAL ROW)

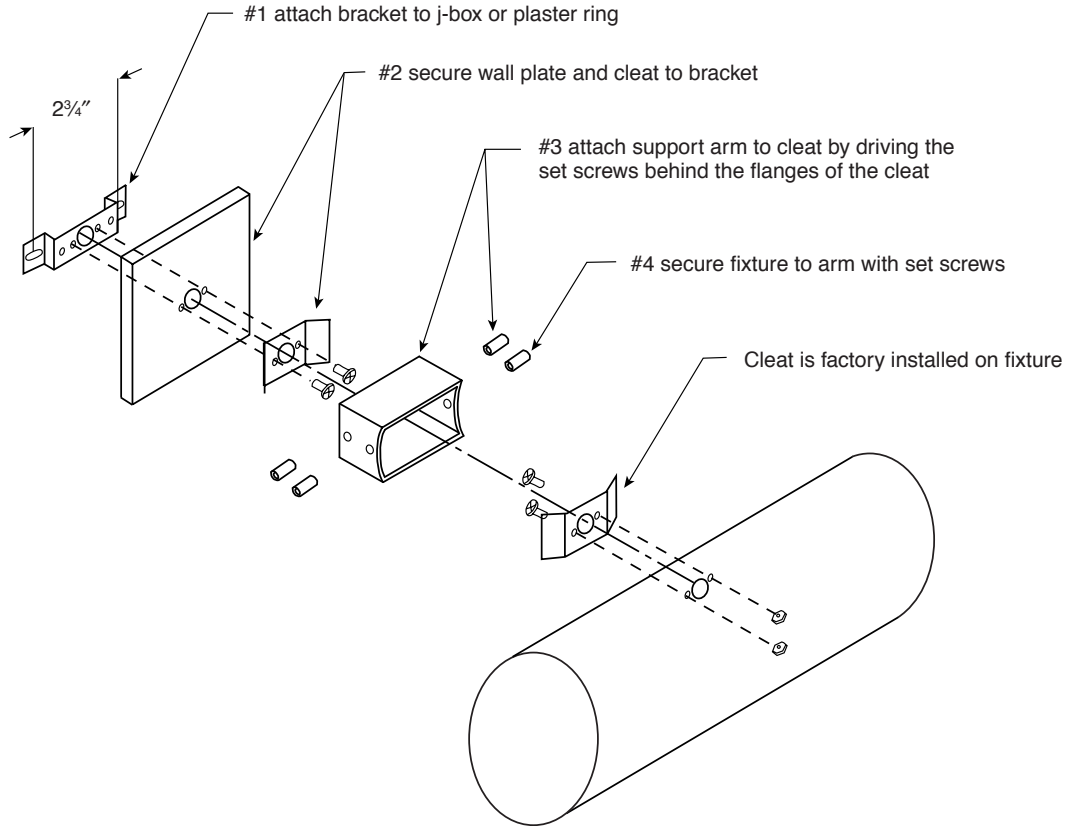
12 ft.	12 ft.	12 ft.	8 ft.
--------	--------	--------	-------

DATA CHART

Nominal Length	Weight	A	B	C	D	E	F
4'	13 lbs.	48 1/2"	36"	48 3/8"	48 1/4"	36"	12 1/4"
8'	22 lbs.	96 1/2"	84"	96 3/8"	96 1/4"	84"	12 1/4"
12'	34 lbs.	144 1/2"	132"	144 3/8"	144 1/4"	132"	12 1/4"
16'	43 lbs.	16' 1/2"	90"	16' 3/8"	16' 1/4"	90"	12 1/4"
20'	55 lbs.	20' 1/2"	Contact Factory				
24'	64 lbs.	24' 1/2"					

Note: Dimensions shown are for standard, non-rotational mounting. For rotatable products contact factory.

WALL BRACKET INSTALLATION



CORNER DIMENSIONS

