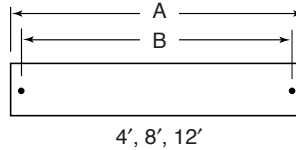
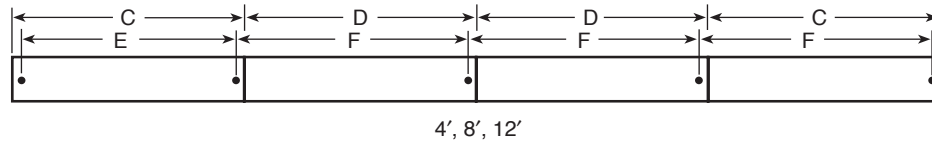


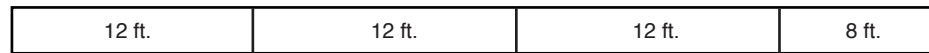
SINGLE MOUNTING (TYPICAL)



ROW MOUNTING



FACTORY STANDARD (TYPICAL ROW)



DATA CHART - FOR DIRECT DISTRIBUTION PRODUCTS

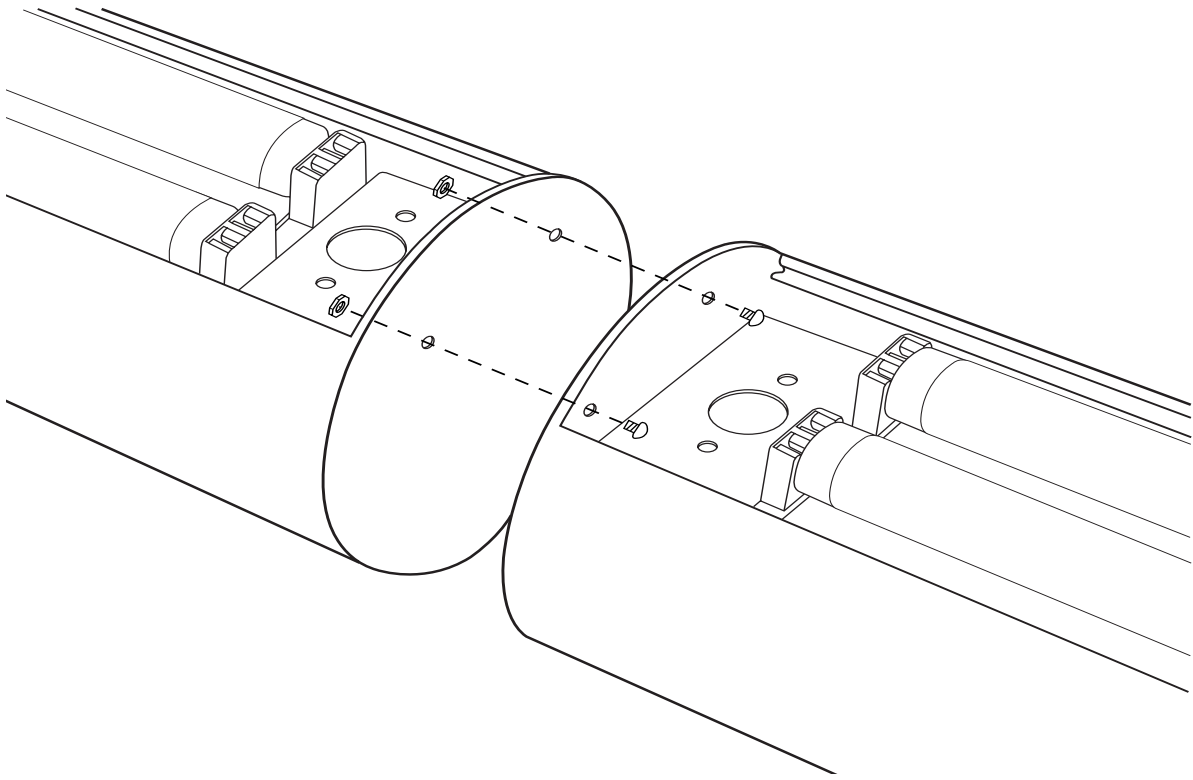
Nominal Length	Weight	A	B	C	D	E	F	G
4'	18 lbs.	48 ¹ / ₄ "	36"	48 ¹ / ₄ "	48 ¹ / ₄ "	36"	48 ¹ / ₈ "	-
8'	31 lbs.	96 ¹ / ₄ "	84"	96 ¹ / ₄ "	96 ¹ / ₄ "	84"	96 ¹ / ₈ "	-
12'	47 lbs.	144 ¹ / ₄ "	132"	144 ¹ / ₄ "	144 ¹ / ₄ "	132"	144 ¹ / ₈ "	-

DATA CHART - FOR INDIRECT AND DIRECT/INDIRECT DISTRIBUTIONS

Nominal Length	Weight	A	B	C	D	E	F	G
4'	18 lbs.	52 ¹ / ₄ "	50"	52 ¹ / ₄ "	52 ¹ / ₄ "	50"	52 ¹ / ₄ "	-
8'	31 lbs.	100 ¹ / ₄ "	98"	100 ¹ / ₄ "	100 ¹ / ₄ "	98"	100 ¹ / ₄ "	-
12'	47 lbs.	148 ¹ / ₄ "	146"	148 ¹ / ₄ "	148 ¹ / ₄ "	146"	148 ¹ / ₄ "	-

Note: Dimensions shown are for standard, non-rotational mounting. For rotatable products contact factory.

FIXTURE CONNECTIONS



CORNER DIMENSIONS

