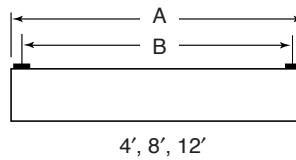
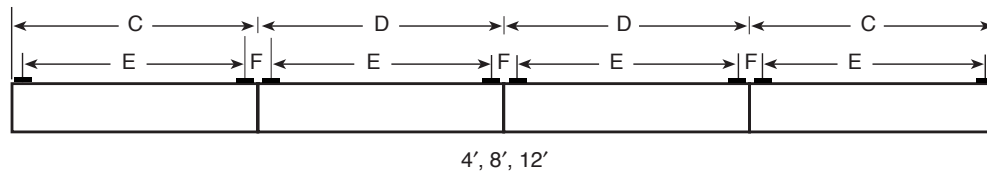


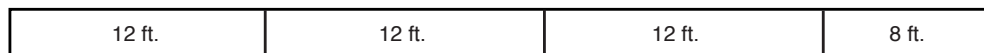
SINGLE MOUNTING (TYPICAL)



ROW MOUNTING



FACTORY STANDARD (TYPICAL ROW)

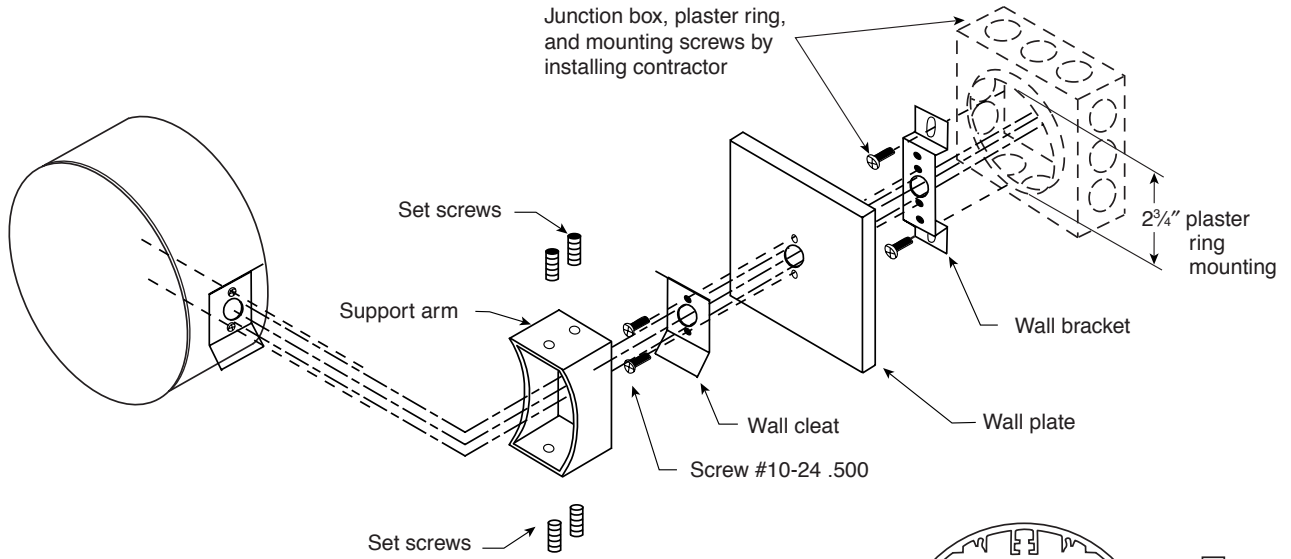


DATA CHART

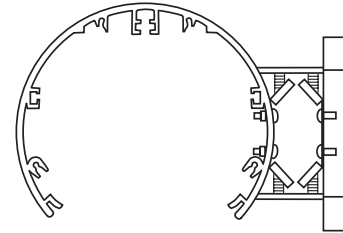
Nominal Length	Weight	A	B	C	D	E	F
4'	18 lbs.	48 1/4"	36"	48 1/4"	48 1/4"	36"	12 1/4"
8'	31 lbs.	96 1/4"	84"	96 1/4"	96 1/4"	84"	12 1/4"
12'	47 lbs.	144 1/4"	132"	144 1/4"	144 1/4"	132"	12 1/4"

Note: Dimensions shown are for standard, non-rotational mounting. For rotatable products contact factory.

FIXTURE CONNECTIONS



- 1) Attach wall bracket to plaster ring using plaster ring screws. (Pull service through center hole)
- 2) Attach wall plate and wall cleat to wall bracket with two #10-24 X .500 round head machine screws provided.
- 3) Secure support arm to wall cleat by driving two 1/4-20 X .500 recessed socket head set screws (provided with kit) behind flanges of wall cleat.
- 4) Make service lead connection to ballast leads and ground inside fixture.



CORNER DIMENSIONS

