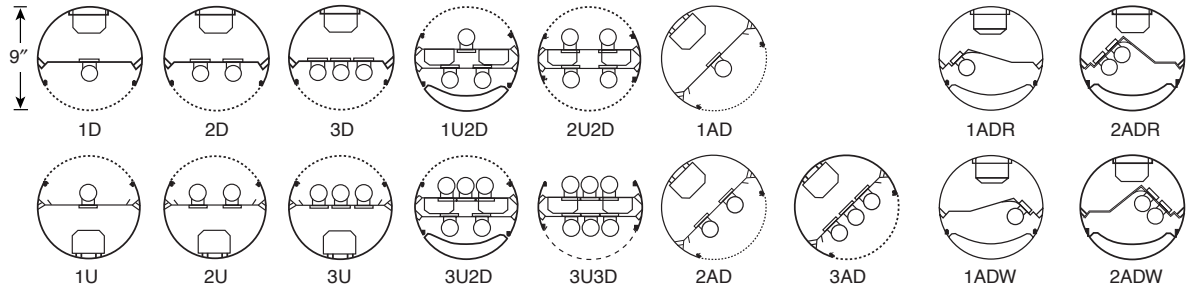
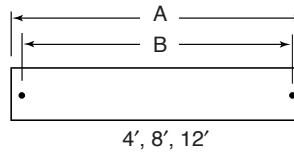


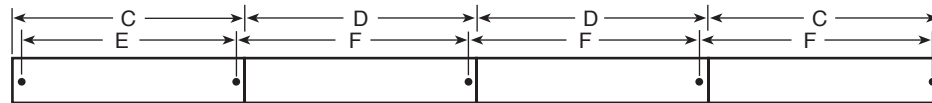
SECTIONS



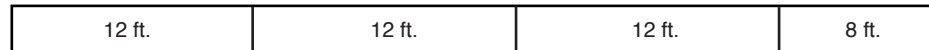
SINGLE MOUNTING (TYPICAL)



ROW MOUNTING



FACTORY STANDARD (TYPICAL ROW)



DATA CHART - FOR DIRECT DISTRIBUTION PRODUCTS

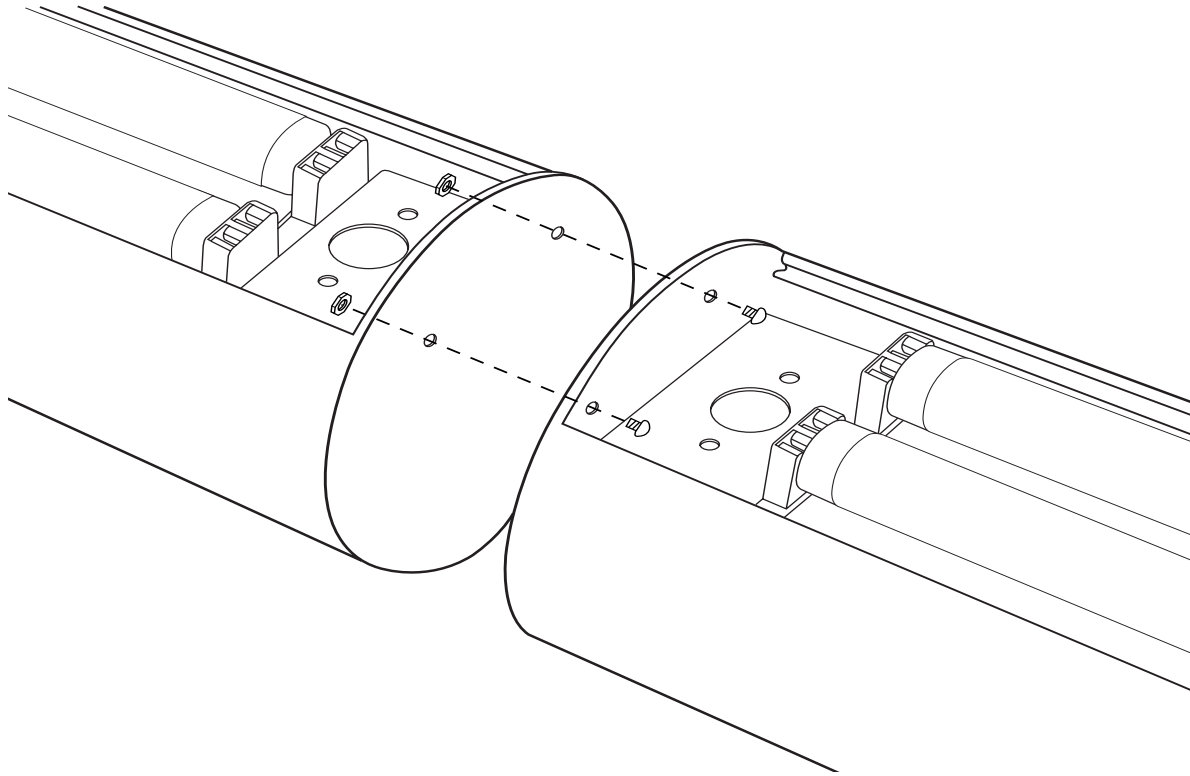
Nominal Length	Weight	A	B	C	D	E	F	G
4'	33 lbs.	48½"	36"	48¾"	48¼"	36"	48¼"	-
8'	68 lbs.	96½"	84"	96¾"	96¼"	84"	96¼"	-
12'	88 lbs.	144½"	132"	144¾"	144¼"	132"	144¼"	-

DATA CHART - FOR INDIRECT AND DIRECT/INDIRECT DISTRIBUTIONS

Nominal Length	Weight	A	B	C	D	E	F	G
4'	33 lbs.	52½"	50"	52¾"	52¼"	50"	52¼"	-
8'	68 lbs.	100½"	98"	100¾"	100¼"	98"	100¼"	-
12'	88 lbs.	148½"	146"	148¾"	148¼"	146"	148¼"	-

Note: Dimensions shown are for standard, non-rotational mounting. For rotatable products contact factory.

FIXTURE CONNECTIONS



CORNER DIMENSIONS

