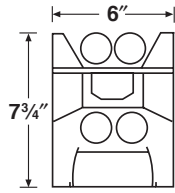
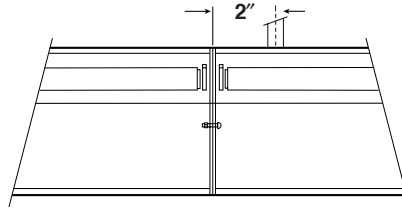


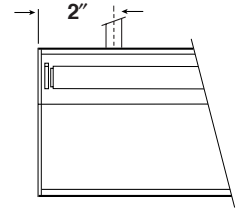
SECTIONS



CROSS SECTION



CONNECTION SECTION



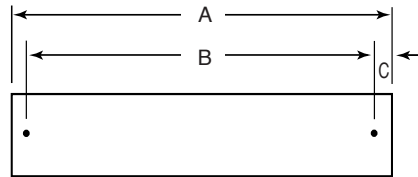
END SECTION

BOTTOM VIEW

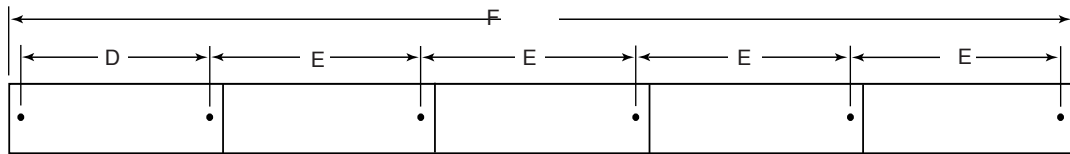


SINGLE

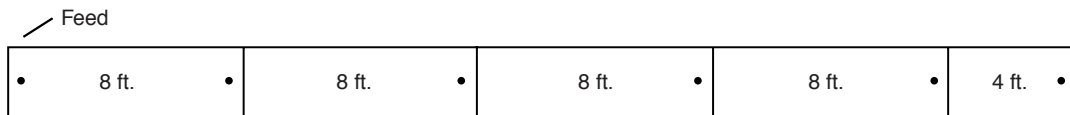
### SINGLE MOUNTING (TYPICAL)



### ROW MOUNTING



### FACTORY STANDARD (TYPICAL ROW)

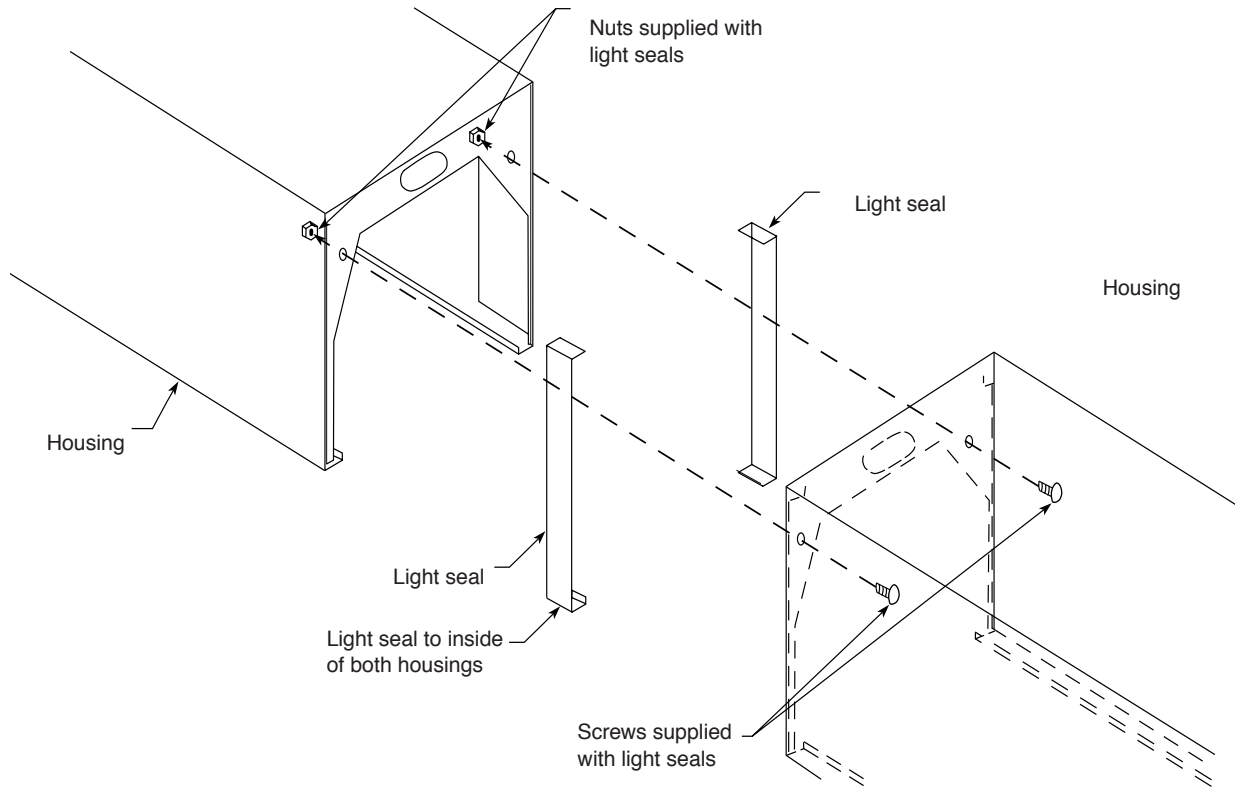


Note: Connectors between fixtures and at end of rows are required if fixture has (1) centered indirect lamp.

### DATA CHART

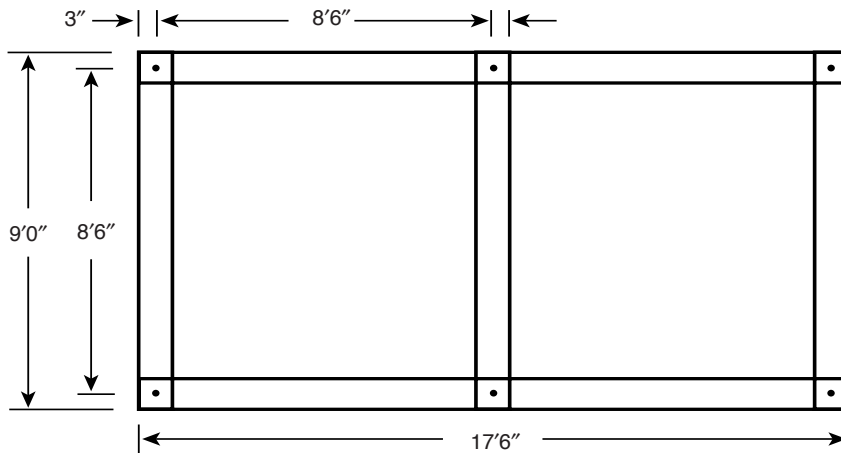
Nominal Length	Weight	A	B	C	D	E	F
4'	22 lbs.	48"	44"	2"	44"	48"	240"
8'	35 lbs.	96"	92"	2"	92"	96"	480"

FIXTURE CONNECTIONS



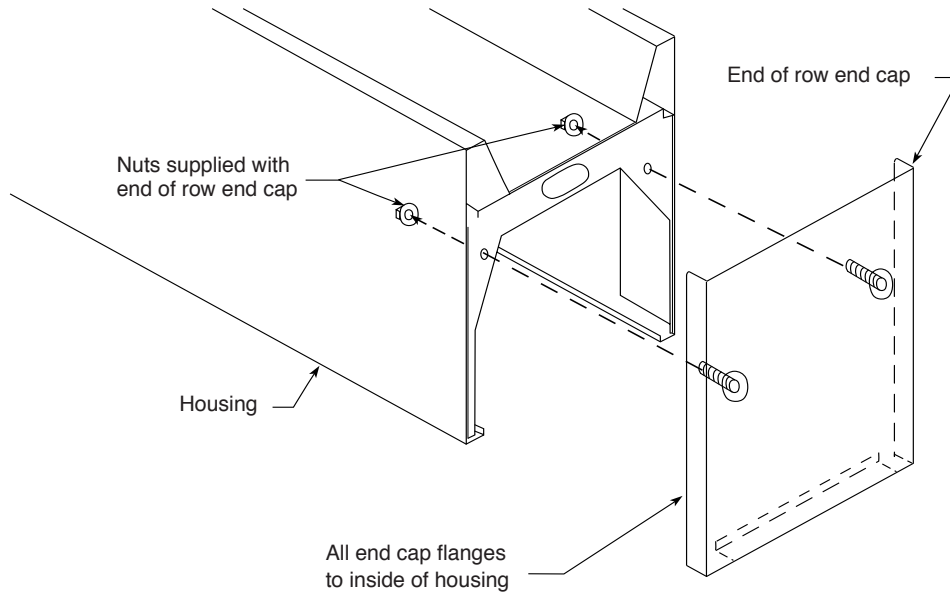
PATTERNS

8 foot pattern

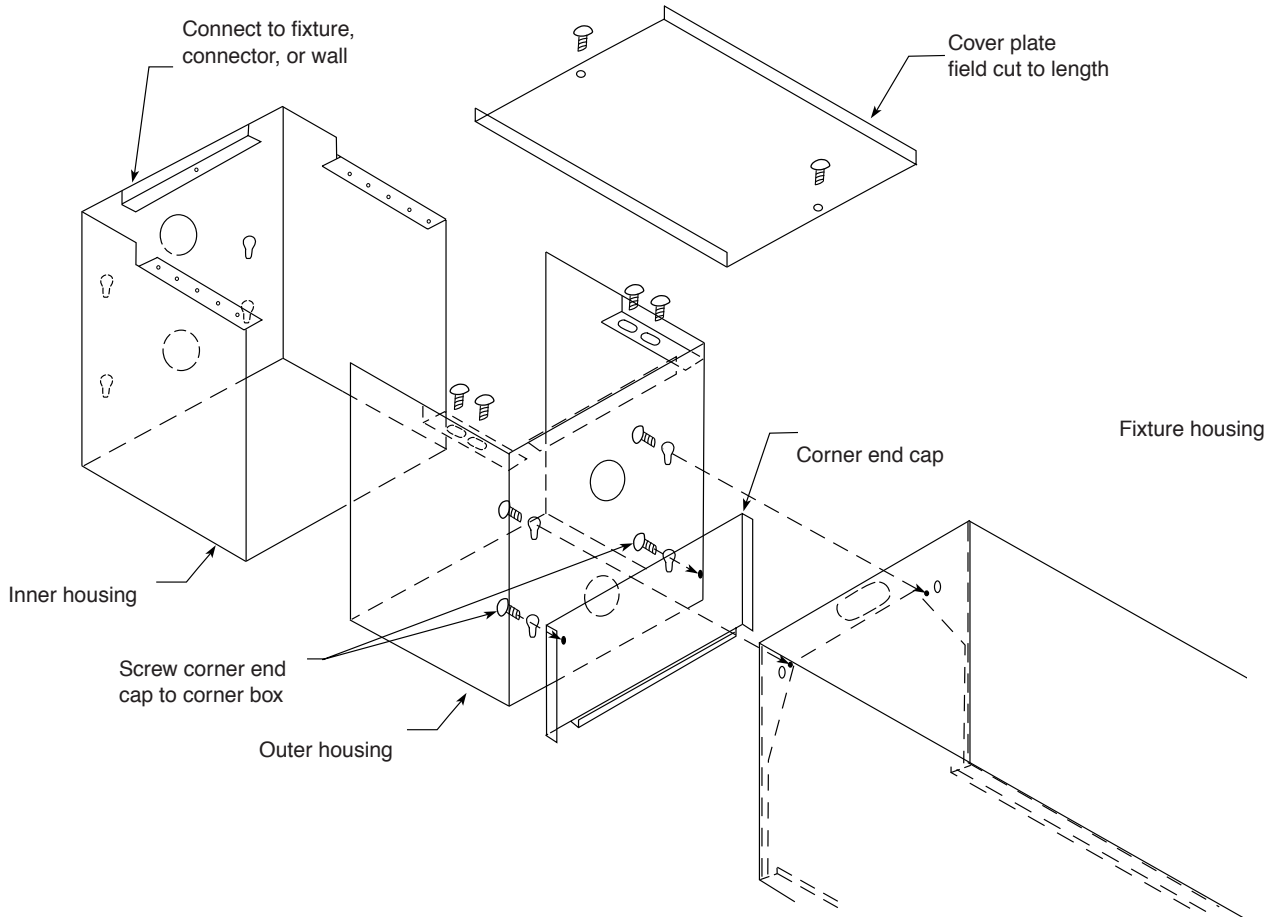


PATTERNS

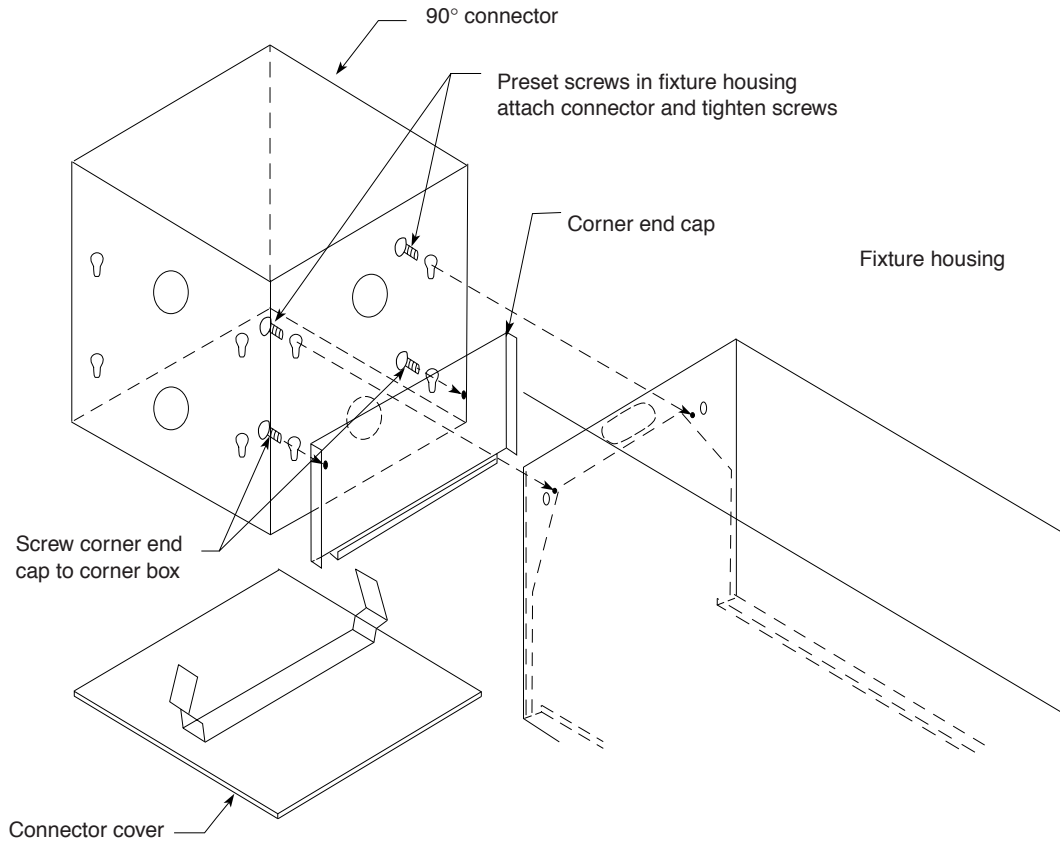
END CAP ATTACHMENT



ADJUSTABLE WALL CONNECTOR



90° CONNECTOR



TEE CONNECTOR

