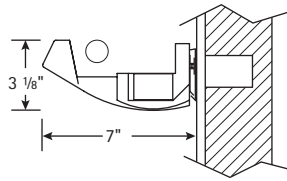
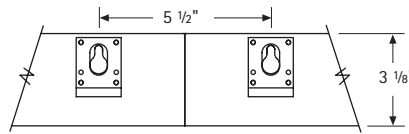


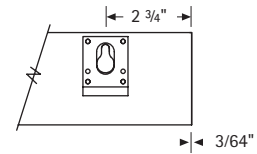
SECTIONS



Cross Section

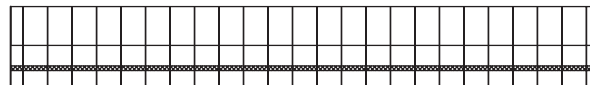


Connection Section

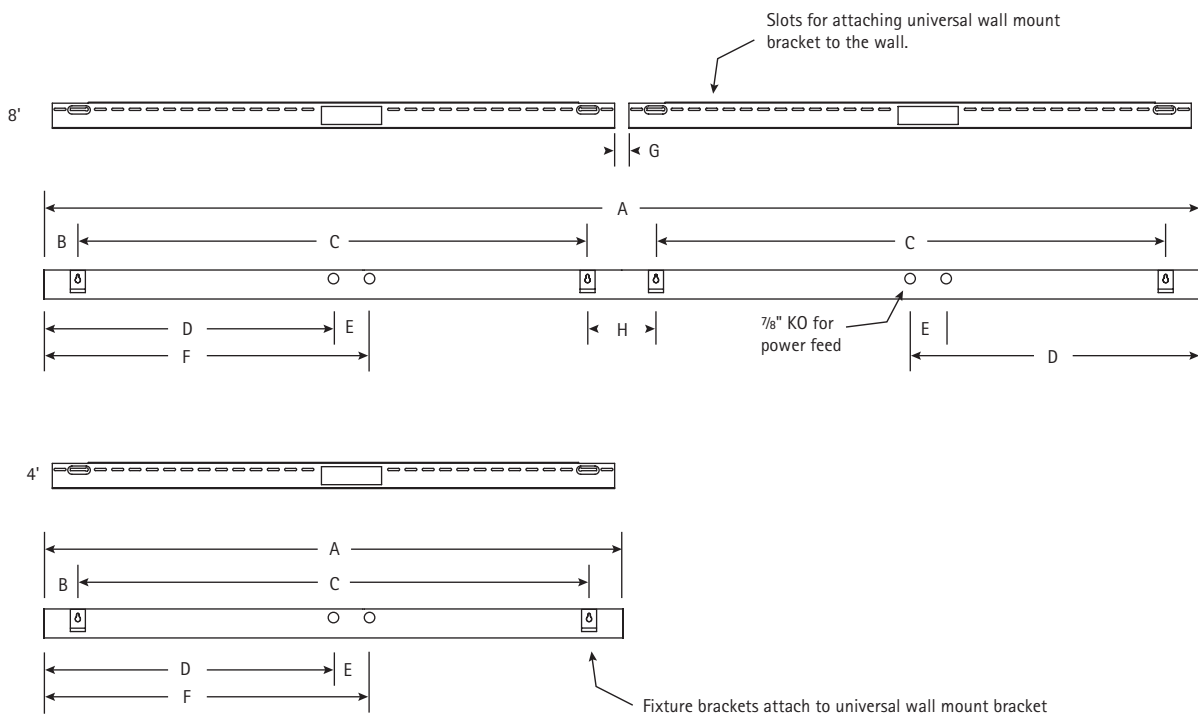


End Section

BOTTOM VIEW

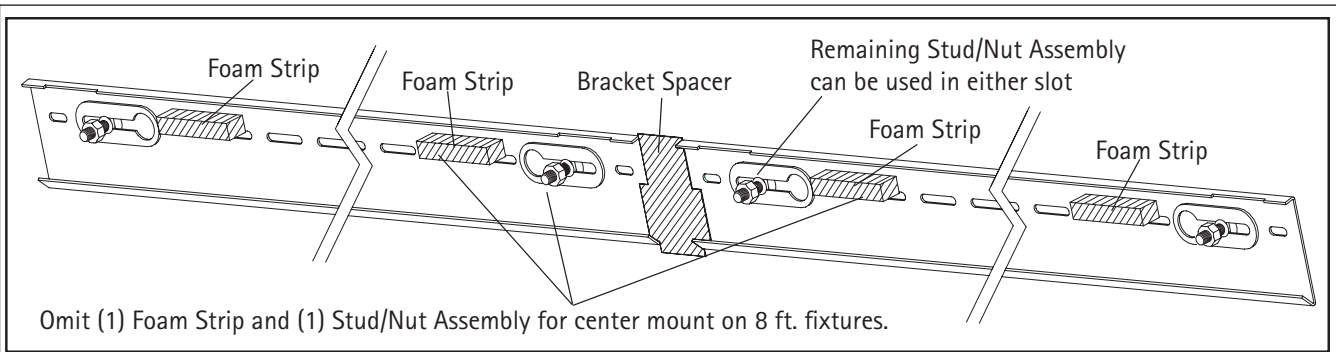


MOUNTING INFORMATION (LOOKING AT WALL "THROUGH" FIXTURE)



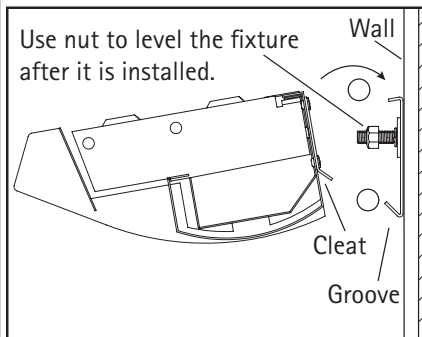
DATA CHART

Nominal Length	Approx. Weight 1-lamp	A*	B	C	D	E	F	G	H
4'	10 lbs.	48 1/8"	2 3/4"	42 1/2"	24"	3 1/2"	27 1/2"	—	—
8'	20 lbs.	96 1/8"	2 3/4"	42 1/2"	24"	3 1/2"	27 1/2"	1 1/4"	5 1/2"



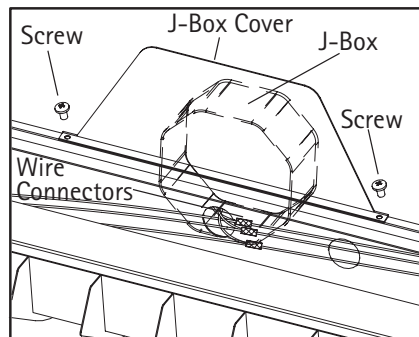
Step 1

Using mounting information and data chart from previous page, install bracket to wall using continuous slots. Ensure bracket is level. At each mounting location (three for 8 ft. fixtures), insert stud/nut assembly into hole on embossed slots of bracket and slide to inside edge of flange. Apply foam strip to each stud location. Place spacer into v-groove of bracket to align and install next bracket. Continue mounting brackets until row is complete.



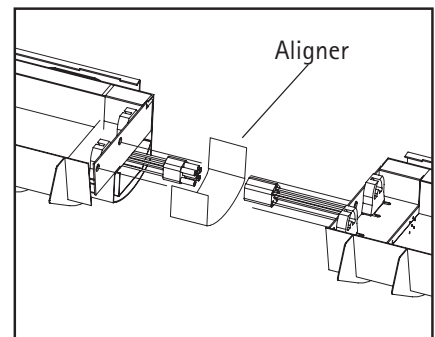
Step 2

Remove ballast cover on luminaire. Slip cleat in v-groove on bracket (1) and push stud through keyhole slot (2).



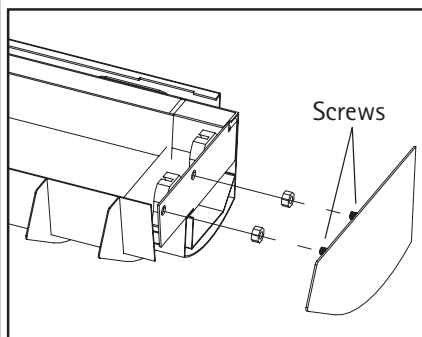
Step 3

Pull wires from J-box into fixture housing and splice to harness as required. Install J-box cover to bracket with screws supplied.



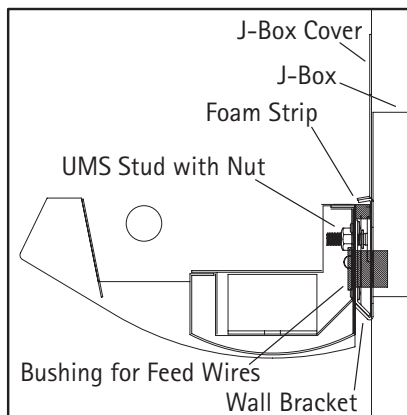
Step 4

Repeat step 2 for next fixture. Connect harness plugs together. Slide fixture with aligner to mate with previous fixture in row. Secure fixtures using supplied nut and bolt. Continue to repeat step 3 as required.



Step 5

When all fixtures in row have been installed and leveled, attach end cap using nuts provided.



Cross Section