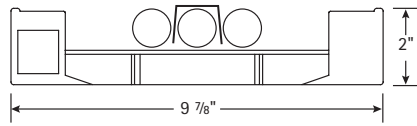
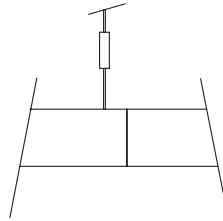


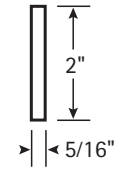
SECTIONS



Cross Section 3T8

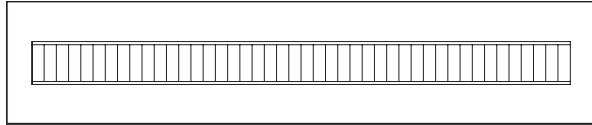


Connection Section

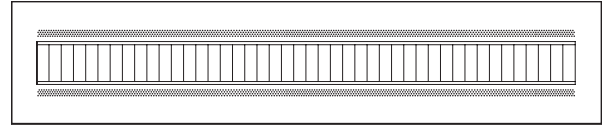


End Cap

BOTTOM VIEW

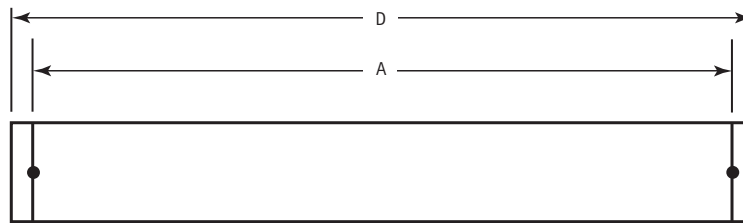


Solid Housing



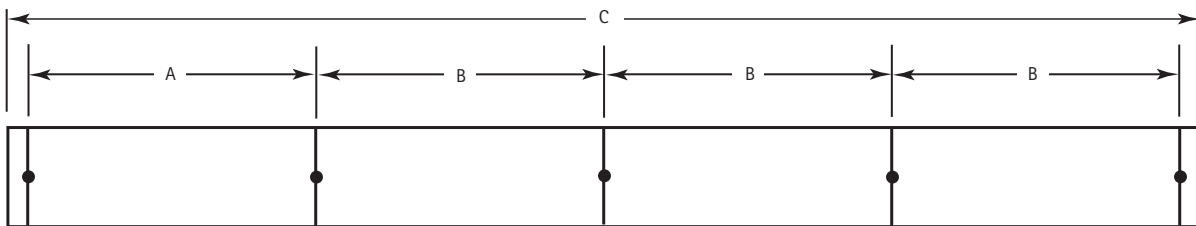
Perforated Strip Housing

SINGLE MOUNTING (TYPICAL)



4, 8, 12 ft.

ROW MOUNTING



4, 8, 12 ft.

DATA CHART

Nominal Length	Approx. Weight 3-lamp*	A	B	C	D
4'	19 lbs.	47 1/4"	48"	192 5/8"	48 5/8"
8'	32 lbs.	95 1/4"	96"	384 5/8"	96 5/8"
12'	44 lbs.	143 1/4"	144"	576 5/8"	144 5/8"

Note: Suspension data is computed using the standard aircraft cable assembly. The use of rigid stems will yield different data. Please consult factory for stem data.

*3-Lamp includes CLC cover.

TO INSTALL A/V DOWNLIGHT COVER:



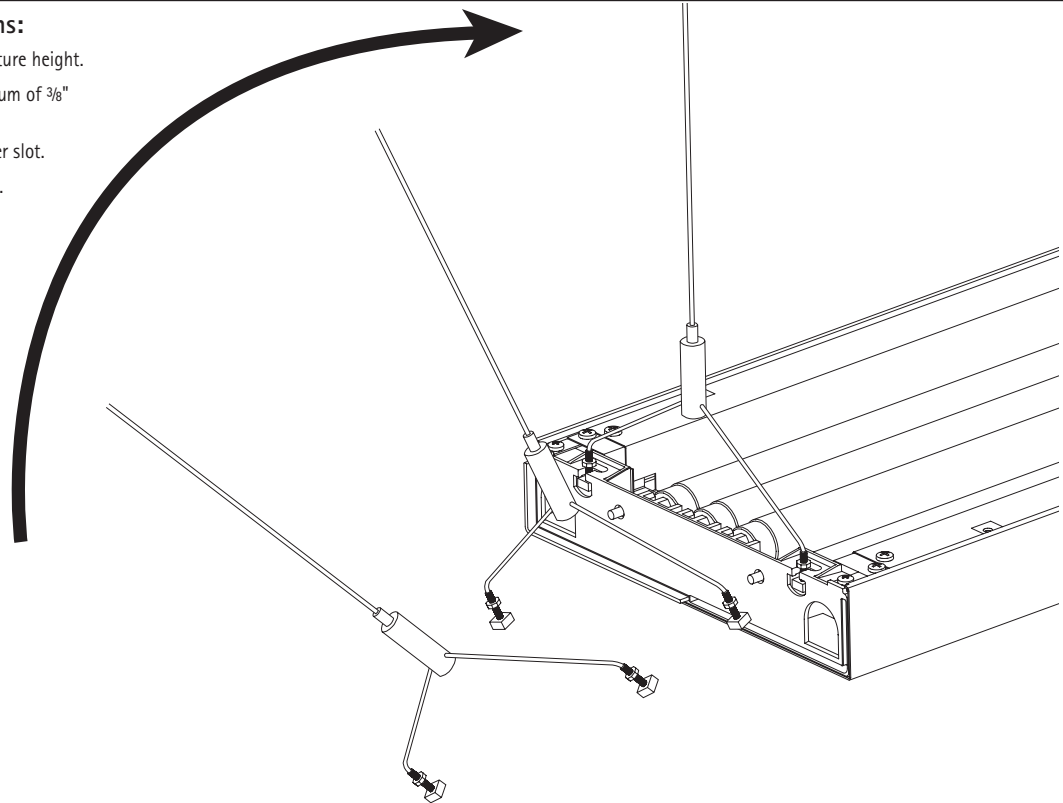
1. Install center lamp.

2. Place A/V cover directly over center lamp.

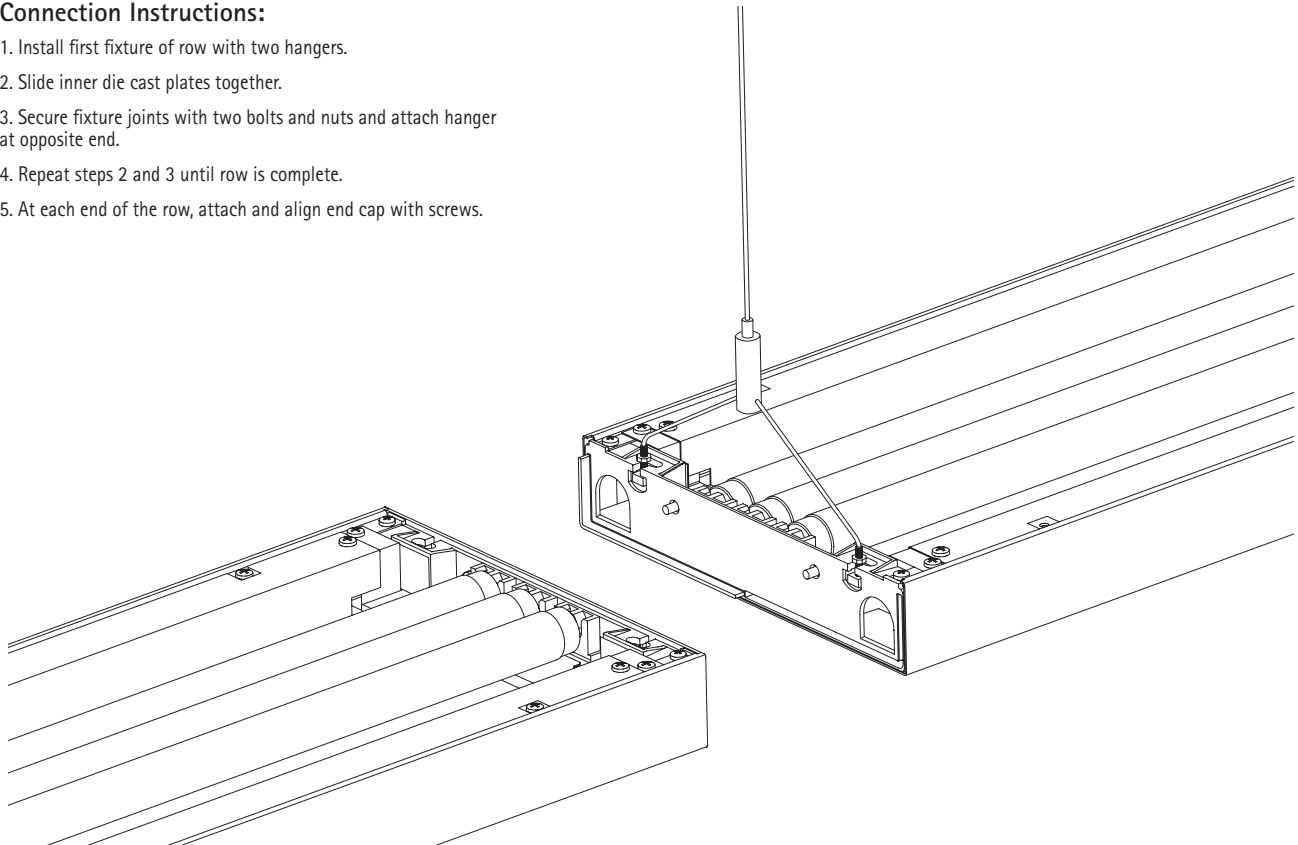
3. Install outer lamps.

Suspension Instructions:

1. Set bottom nut to desired fixture height.
2. Adjust upper nut for a minimum of $\frac{3}{8}$ " between upper and lower nuts.
3. Slide cable hanger into hanger slot.
4. Secure and tighten upper nut.

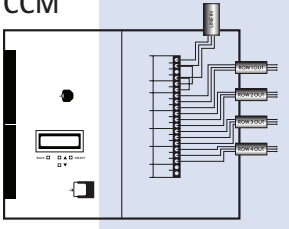

Connection Instructions:

1. Install first fixture of row with two hangers.
2. Slide inner die cast plates together.
3. Secure fixture joints with two bolts and nuts and attach hanger at opposite end.
4. Repeat steps 2 and 3 until row is complete.
5. At each end of the row, attach and align end cap with screws.



A+CLASS 4 ROWS, NO WBD 120V

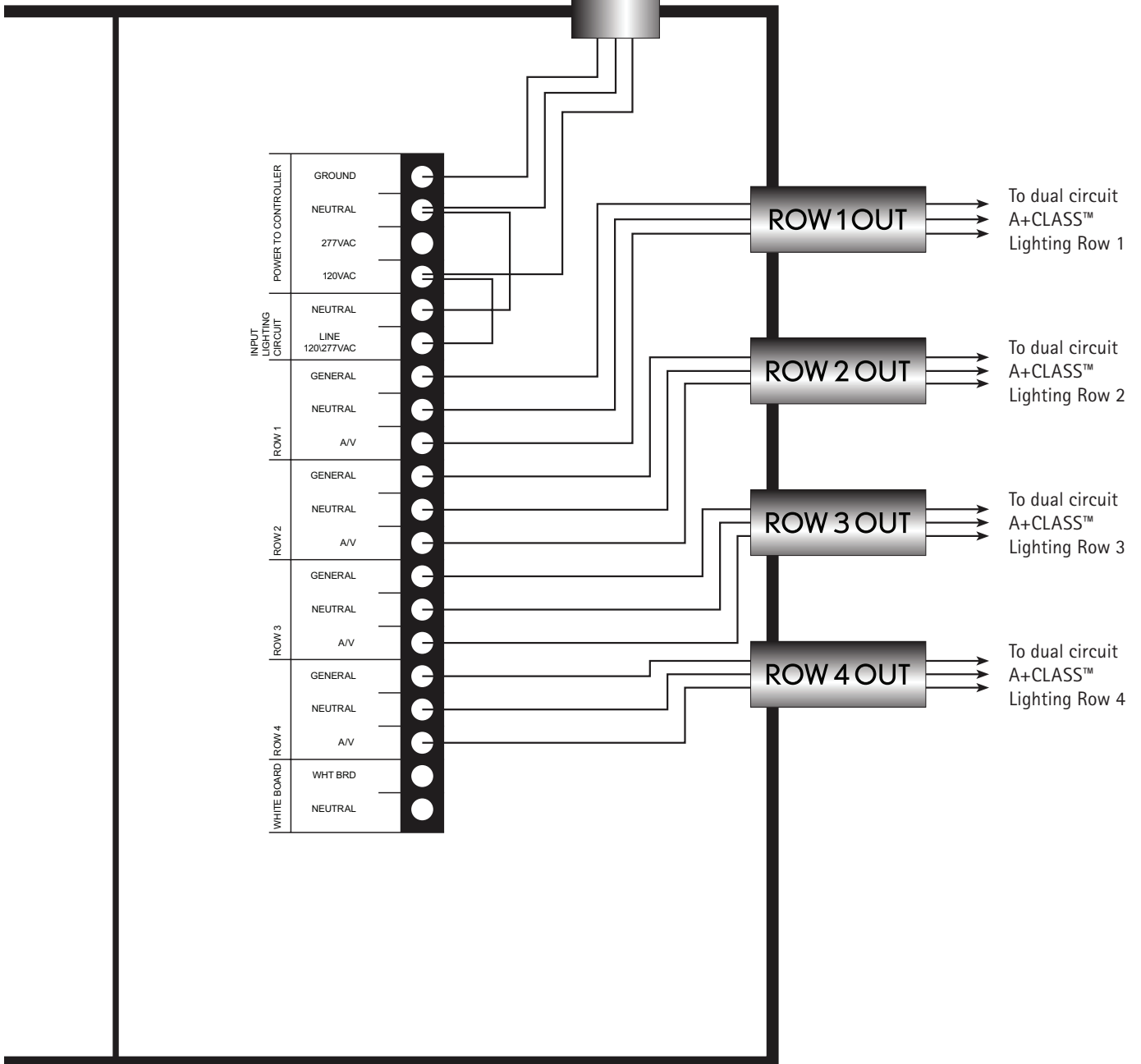
CCM



Main Power Feed



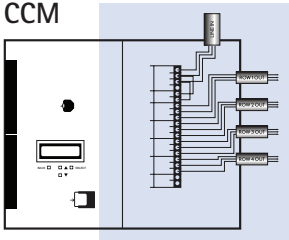
Line voltage wiring from luminaire row(s) to Classroom Control Module (CCM) per federal, state, and local codes. Licensed electrical contractor is required for installation. Proper installation is the responsibility of the installing electrical contractor.



CAUTION: Before applying power to the Classroom Control Module (CCM) verify input voltage has been wired to the proper input and output relays. **IMPROPERLY APPLIED VOLTAGE WILL DAMAGE CCM AND VOID WARRANTY.** For low voltage connections to CCM see Quick Start Guide and/or APCS-LV-INSTR.

A+CLASS 4 ROWS, NO WBD 277V

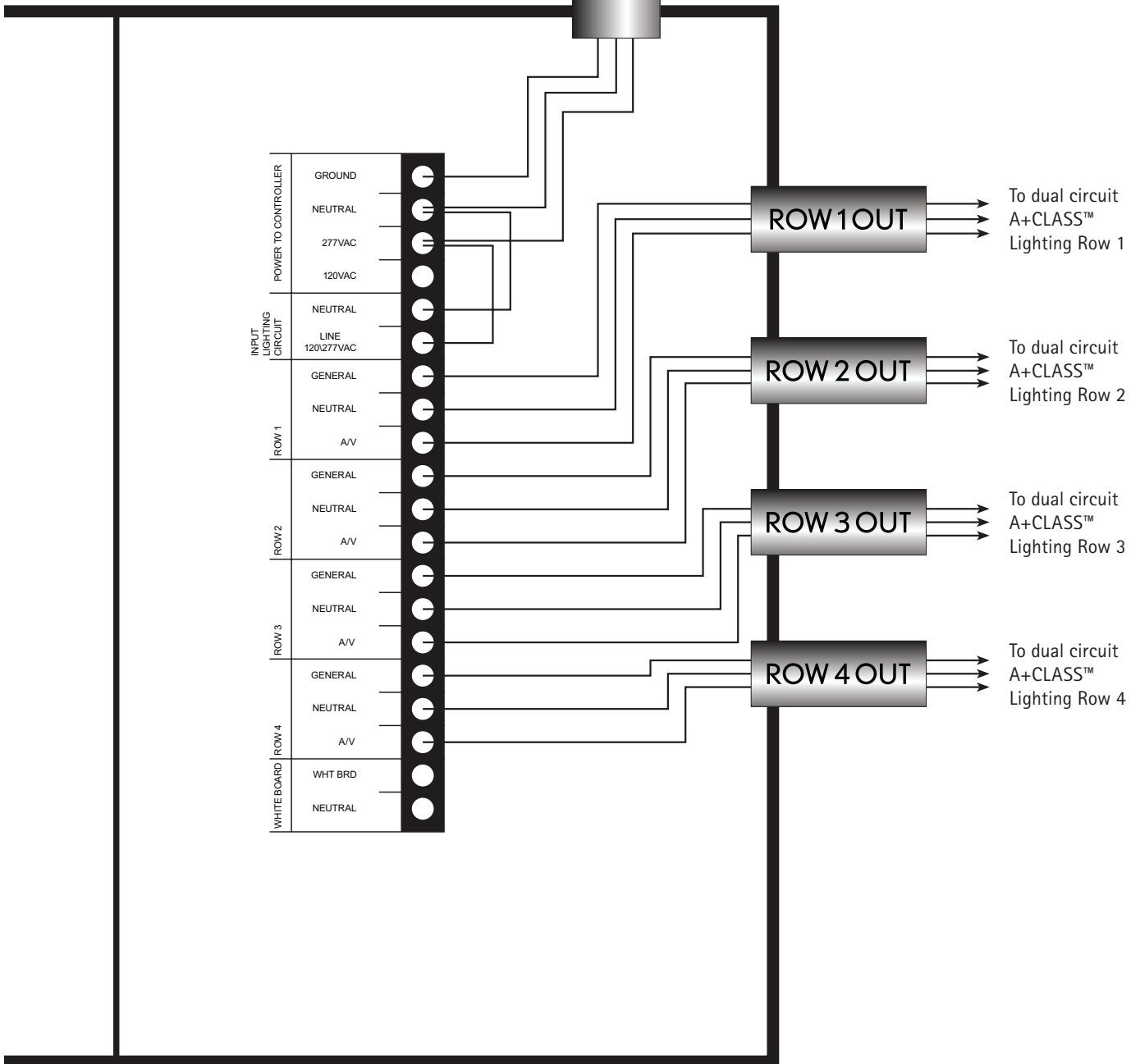
CCM



Main Power Feed



Line voltage wiring from luminaire row(s) to Classroom Control Module (CCM) per federal, state, and local codes. Licensed electrical contractor is required for installation. Proper installation is the responsibility of the installing electrical contractor.



CAUTION: Before applying power to the Classroom Control Module (CCM) verify input voltage has been wired to the proper input and output relays. **IMPROPERLY APPLIED VOLTAGE WILL DAMAGE CCM AND VOID WARRANTY.** For low voltage connections to CCM see Quick Start Guide and/or APCS-LV-INSTR.