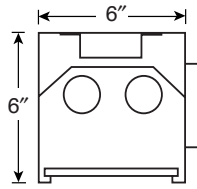
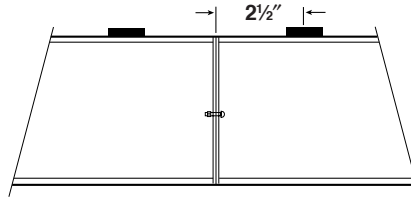


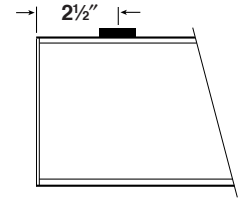
SECTIONS



CROSS SECTION



CONNECTION SECTION



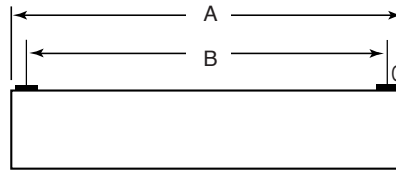
END SECTION

BOTTOM VIEW

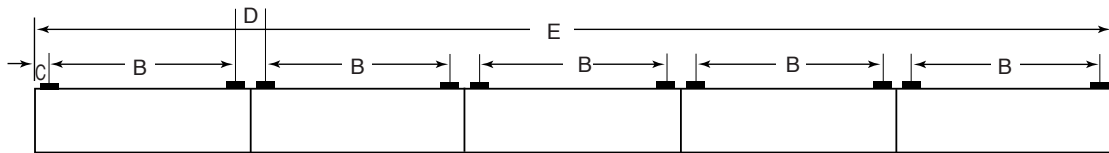


SINGLE

SINGLE MOUNTING (TYPICAL)



ROW MOUNTING



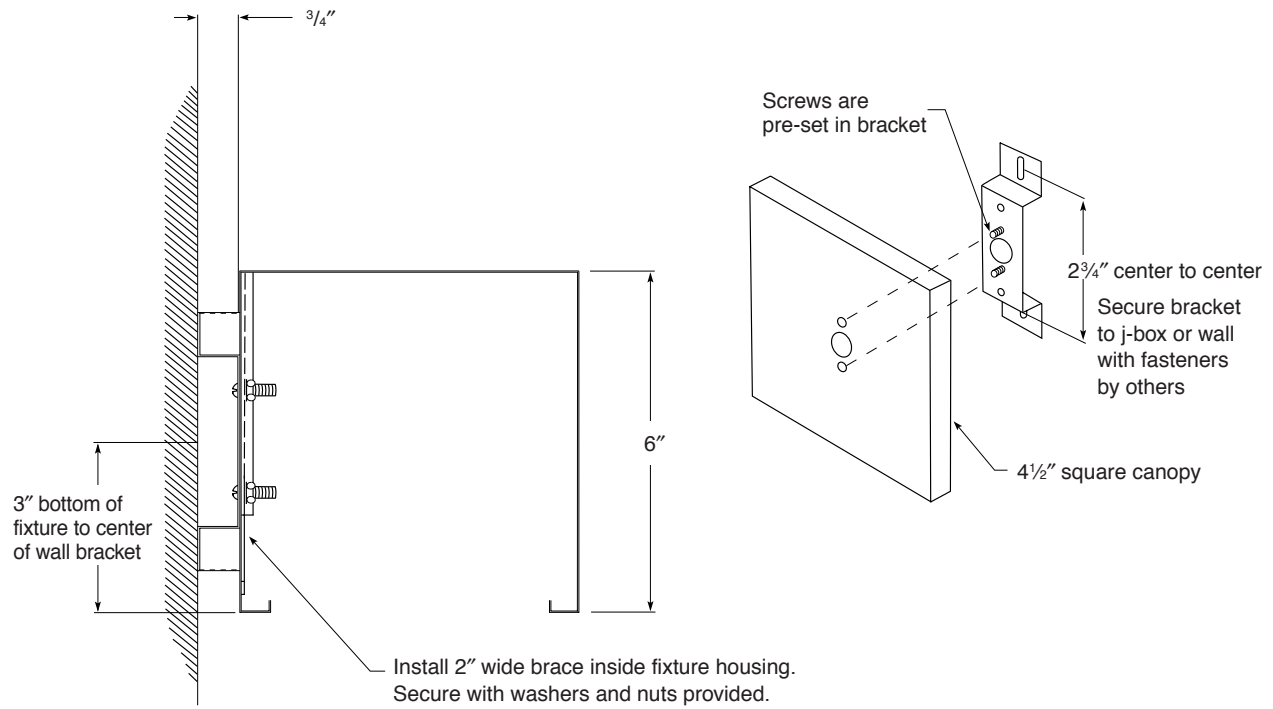
FACTORY STANDARD (TYPICAL ROW)



DATA CHART

Nominal Length	Weight	A	B	C	D	E
4'	18 lbs.	48"	45"	2 1/2"	5"	240"
8'	31 lbs.	96"	91"	2 1/2"	5"	480"

WALL BRACKET MOUNTING



ENDCAP INSTALLATION

