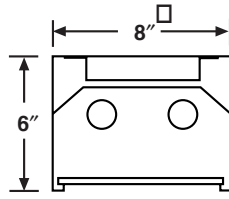
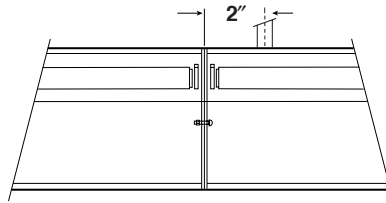


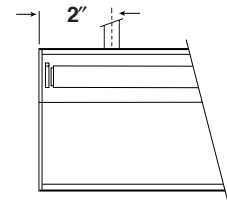
SECTIONS



CROSS SECTION



CONNECTION SECTION



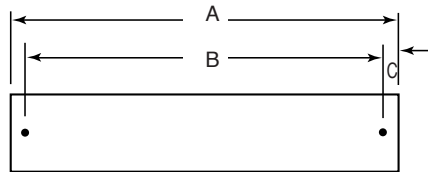
END SECTION

BOTTOM VIEW

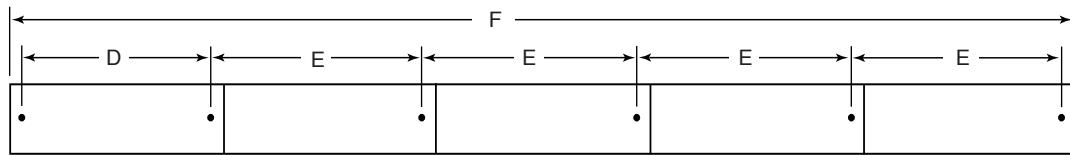


SINGLE

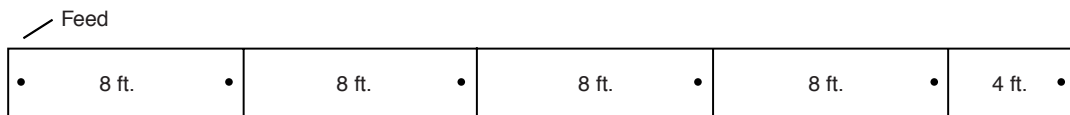
SINGLE MOUNTING (TYPICAL)



ROW MOUNTING



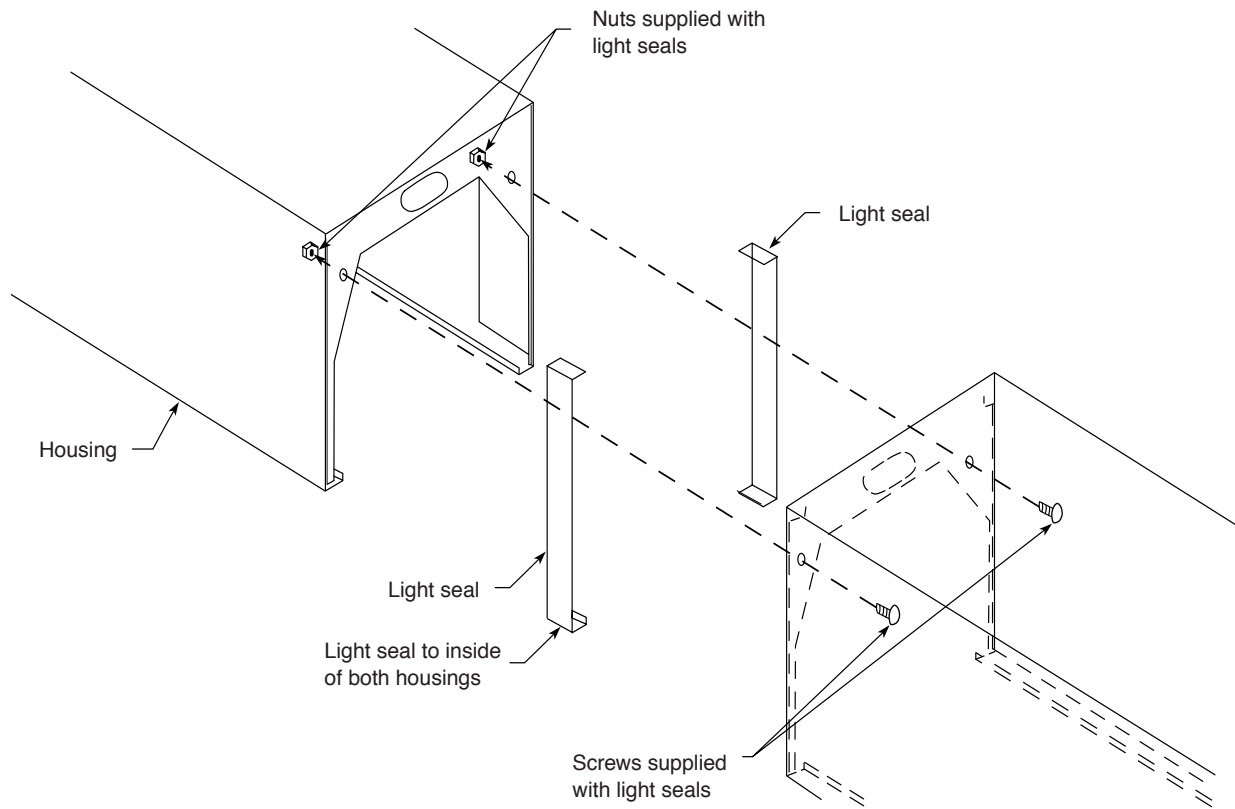
FACTORY STANDARD (TYPICAL ROW)



DATA CHART

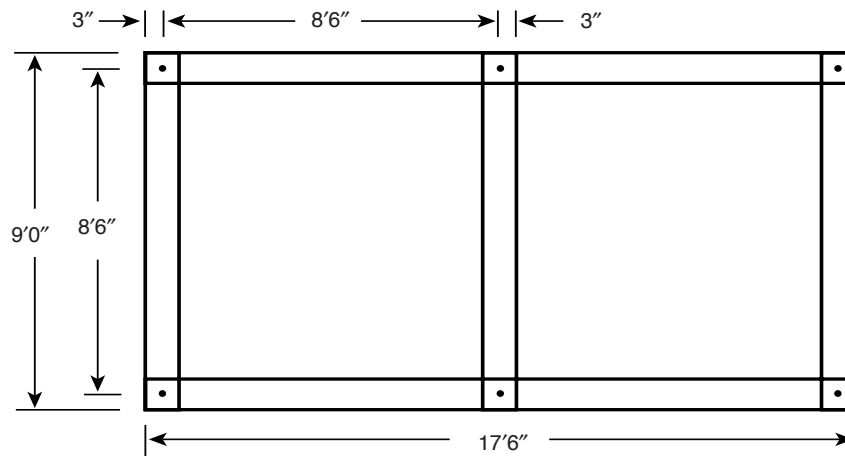
Nominal Length	Weight	A	B	C	D	E	F
4'	23 lbs.	48"	44"	2"	44"	48"	192"
8'	36 lbs.	96"	92"	2"	92"	96"	384"

FIXTURE CONNECTIONS

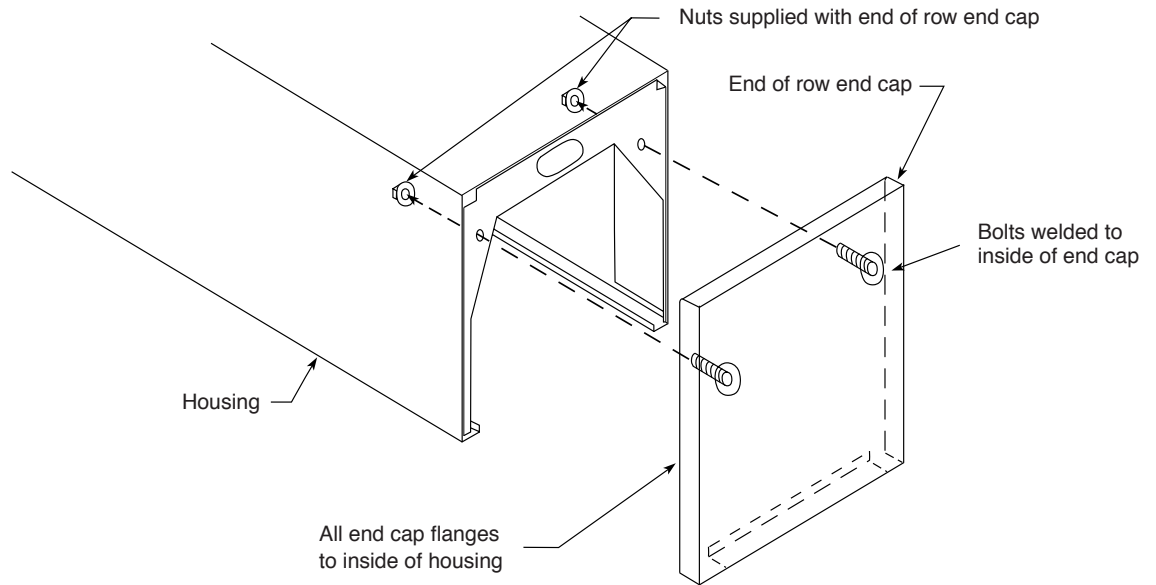


PATTERNS

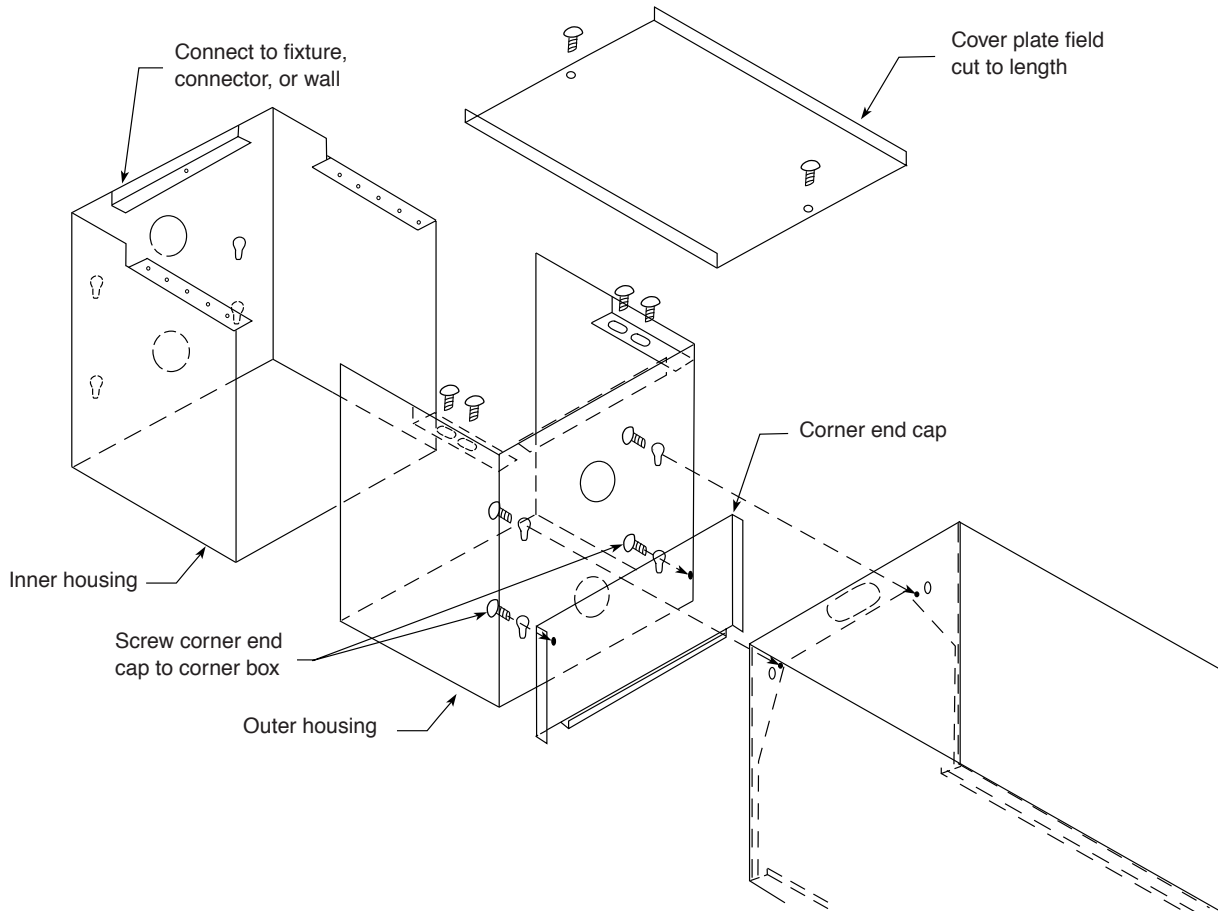
8 foot pattern



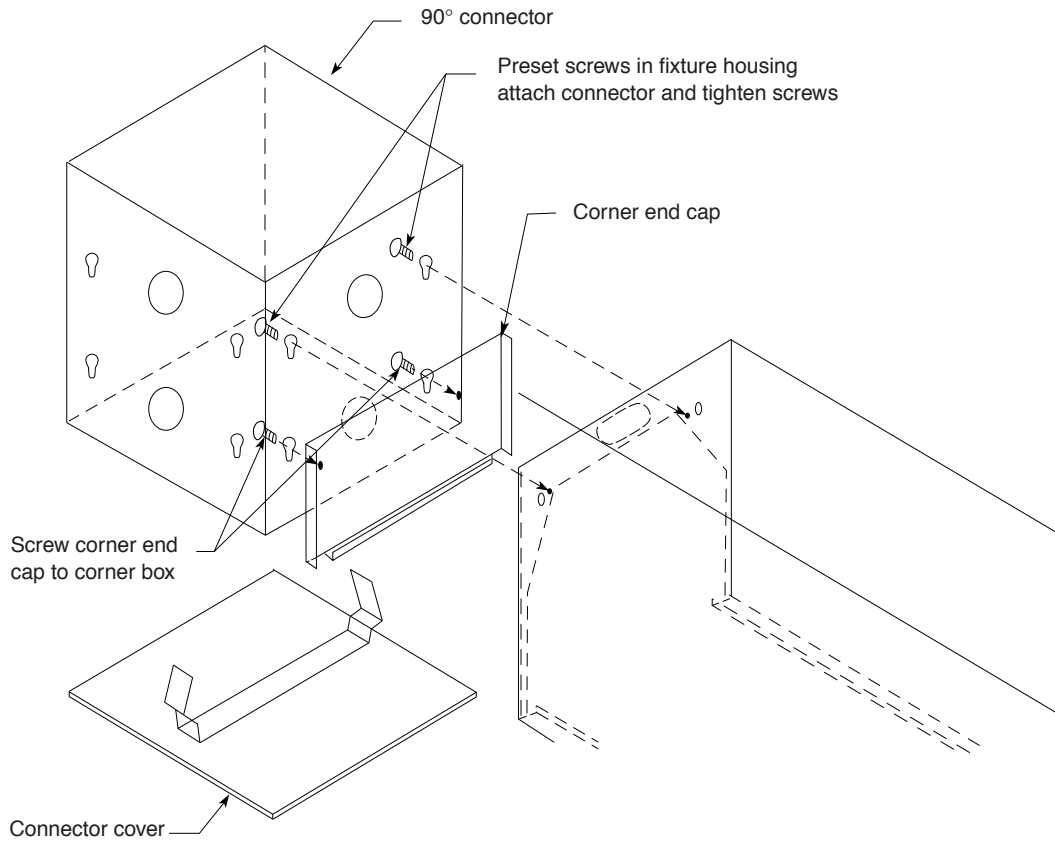
END CAP ATTACHMENT



ADJUSTABLE WALL CONNECTOR



90° CONNECTOR



TEE CONNECTOR

