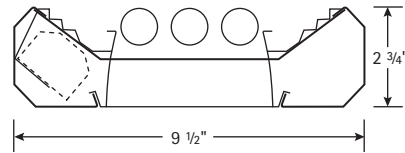
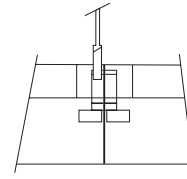
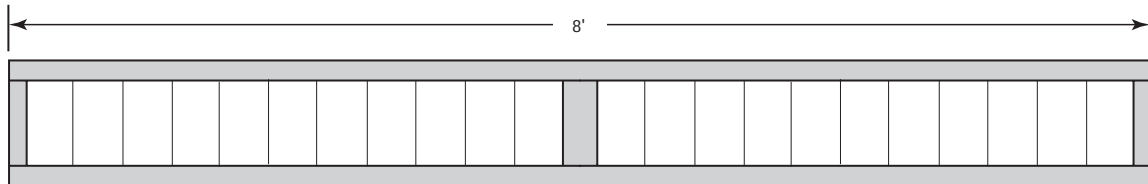
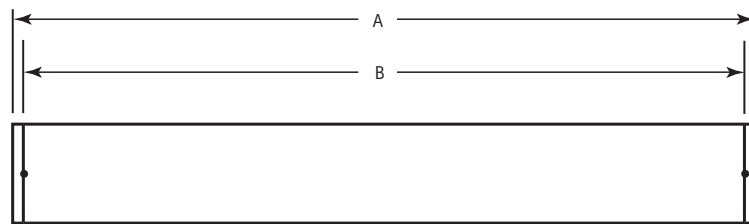


SECTIONS


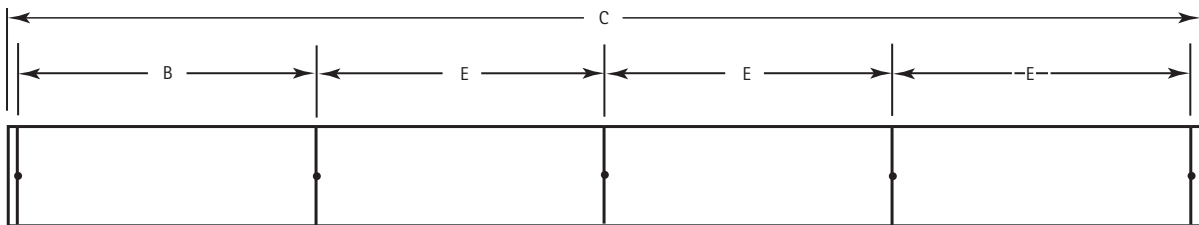
Cross Sections



Connection Section

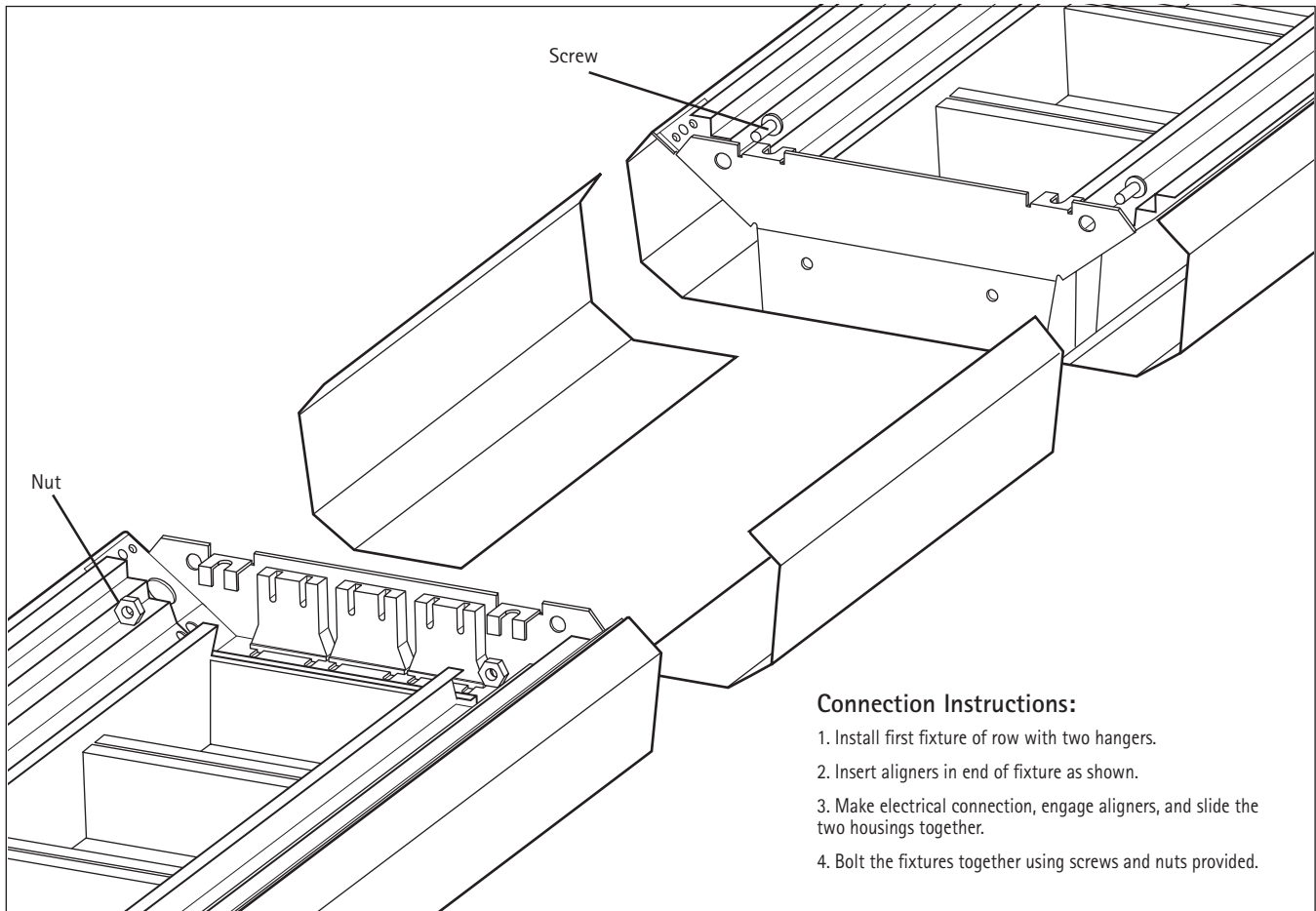
BOTTOM VIEW

SINGLE MOUNTING


4 and 8 ft.

ROW MOUNTING

DATA CHART

Nominal Length	Approx. Weight			A	B	C	E
	1-lamp	2-lamp	3-lamp				
4'	12 lbs.	12 lbs.	12 lbs.	48 1/8"	47 1/2"	192 1/8"	48"
8'	21 lbs.	21 lbs.	24 lbs.	96 1/8"	95 1/2"	384 1/8"	96"
12'	30 lbs.	33 lbs.	36 lbs.	144 1/8"	143 1/2"	576 1/8"	144"

Note: Suspension data is computed using the standard aircraft cable assembly. The use of rigid stems will yield different data. Please consult factory for stem data.


Connection Instructions:

1. Install first fixture of row with two hangers.
2. Insert aligners in end of fixture as shown.
3. Make electrical connection, engage aligners, and slide the two housings together.
4. Bolt the fixtures together using screws and nuts provided.

Suspension Instructions:

1. Set bottom nut to desired fixture height.
2. Slide cable hanger into hanger slot.
3. Secure and tighten upper nut.
4. Push plunger down to adjust cable to proper suspension. Cut excess cable.
5. For fine-tuning of fixture balance, slide knuckle across yoke. Twist cable gripper to lock in place.

