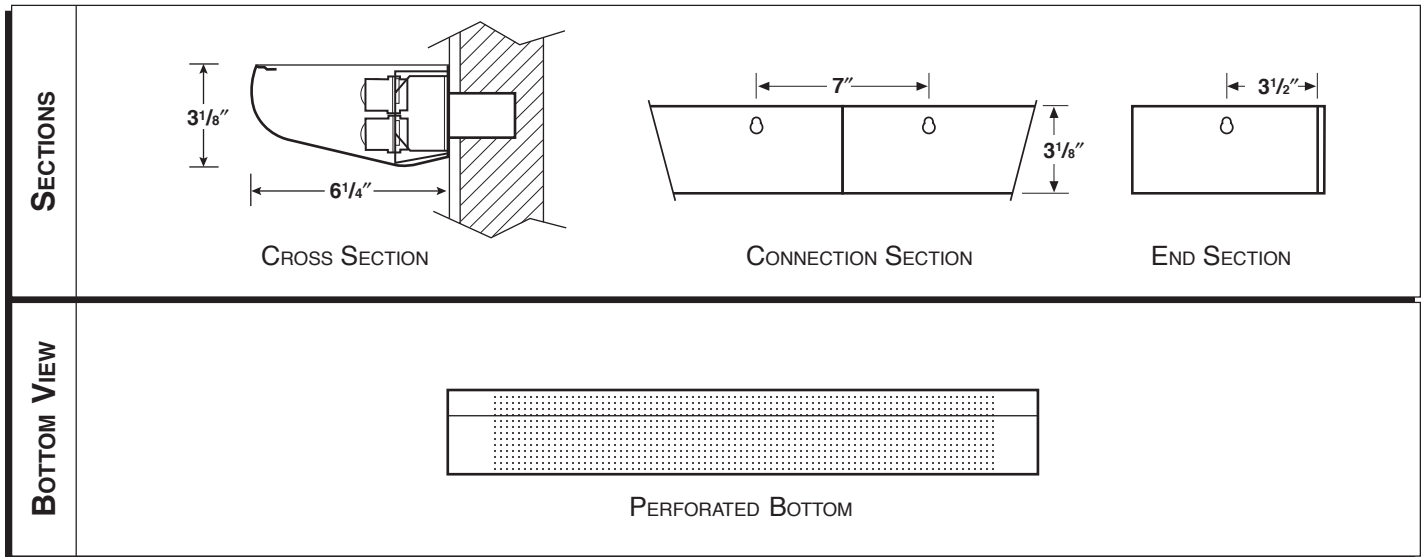
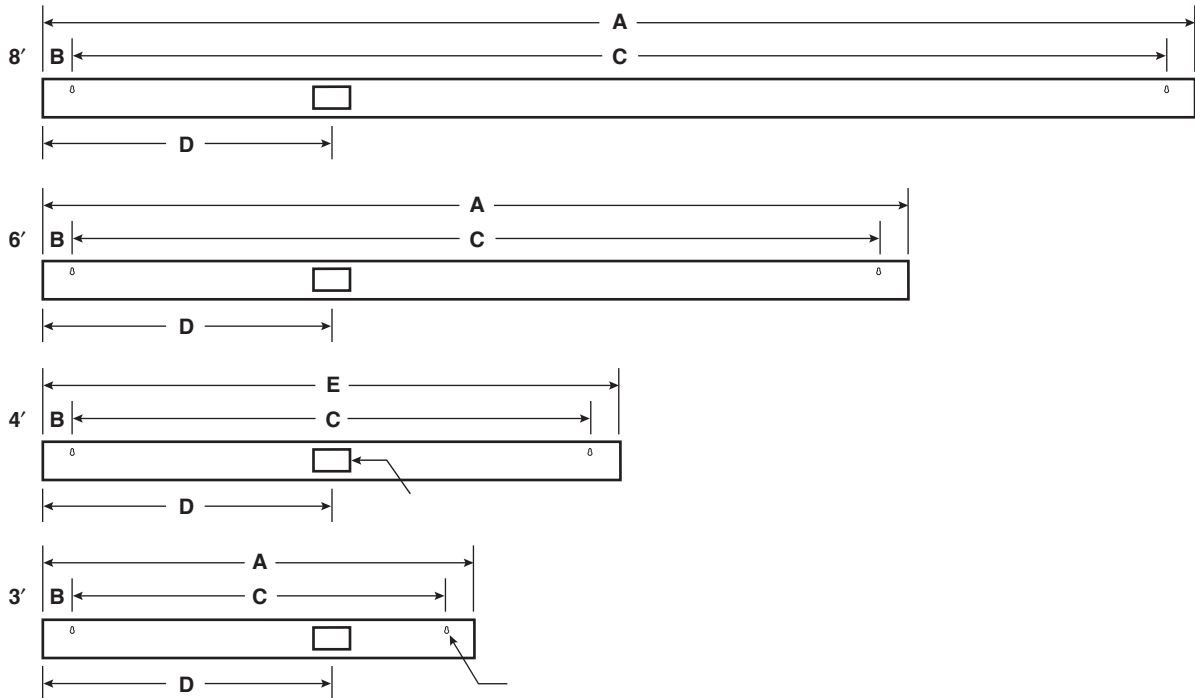


# TECHNICAL INSTALLATION DATA

# WMP INDECON, WALL MOUNT



## MOUNTING INFORMATION

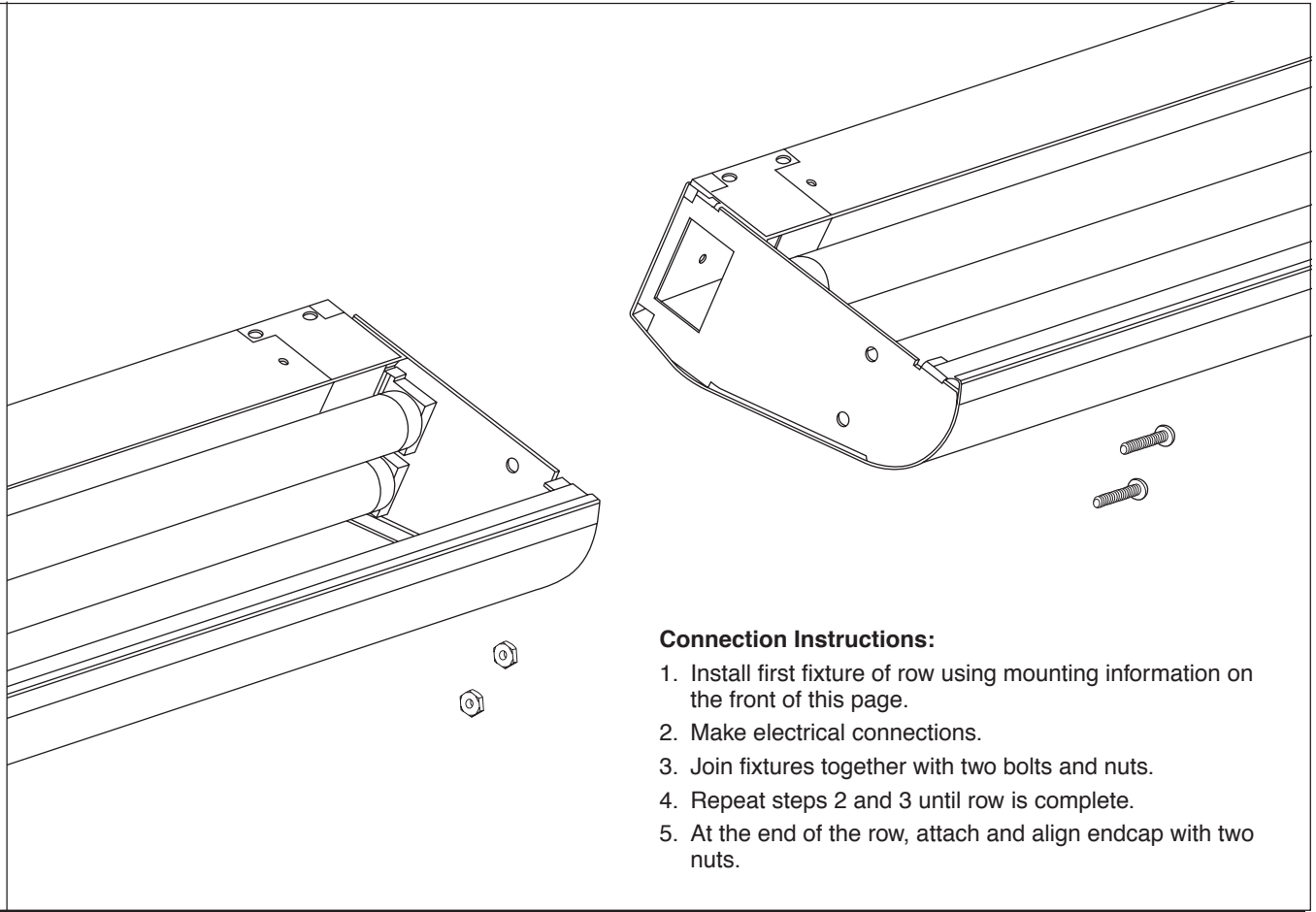


## DATA CHART

Nominal Length	Approx. Weight 2-lamp	A*	B	C	D
3'	9 lbs.	36"	3 1/2"	29"	24"
4'	12 lbs.	48"	3 1/2"	41"	24"
6'	18 lbs.	72"	3 1/2"	65"	24"
8'	24 lbs.	96"	3 1/2"	89"	24"

Note: Fixtures mounted in rows require two mounting locations per fixture.  
 \*End-of-row endcaps add 3/32" to the overall row length.

FIXTURE CONNECTIONS



**Connection Instructions:**

1. Install first fixture of row using mounting information on the front of this page.
2. Make electrical connections.
3. Join fixtures together with two bolts and nuts.
4. Repeat steps 2 and 3 until row is complete.
5. At the end of the row, attach and align endcap with two nuts.