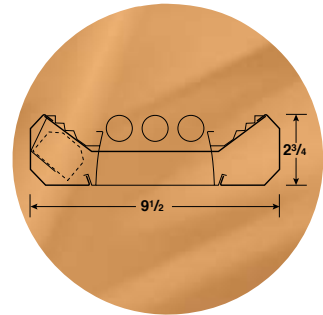


Solo

CONTEMPORARY



ALERA
LIGHTING



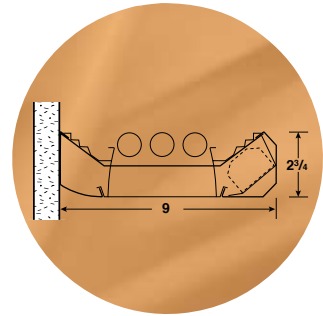
Cable Mount Cross Section

Aesthetics

Solo utilizes modern small-ballast technology for a compact, contemporary look. The parabolic louver provides a visual highlight and very good lamp shielding. Three fixture lengths and three lamping options offer endless design possibilities. In addition to a standard 60/40 distribution, four other distribution options are available that can easily be changed in the field.

Instant Fixture Balancing

A unique hanging and balancing system gives Solo the edge in suspended fixtures. Vertical adjustments for proper suspension heights are effortless with the aircraft cable system. Horizontal balancing is easily achieved by sliding a cable gripper along a metal yoke attached to each end. Once the center of gravity is determined and the fixture appears level, the cable gripper is simply turned and locked into place.



Wall Mount Cross Section

Ordering Information Example: SOLO-4-2T8-CM48-LD-EU-MW-LR

SOLO -

Model	Lamp Type & Profile	Mounting Method	Shielding	Voltage	Options
SOLO - Solaris Octagonal	1T5 - One T5 Lamp ¹ 2T5 - Two T5 Lamps ¹ 3T5 - Three T5 Lamps ¹	CM - Adjustable Aircraft Cable Mount (Std.) WM - Wall Mount	LD - Low Iridescent Semi-Specular Louver (Std.) LS - Low Iridescent Specular Louver LD18 - Low Iridescent Semi-Specular 18-Cell Louver	120 - 120V 277 - 277V 347 - 347V U - 120V-277V	CLC - Center Lamp Cover for AV Mode DC - Dust Cover (N/A T5HO) ² LR - Left/Right Switching (2-Lamp only) IBOB - Inboard/Outboard Switching (3-Lamp only) EL - One Emergency Battery Pack ^{3,4} EMC - One Emergency Circuit ^{3,4,5} NL - Night Light Circuit ^{3,4,5} GLR - Fast Blow Fuse GMF - Slow Blow Fuse TBAR - T-Bar Mounting CSA - UL listed or CSA certified for Canada DL - Damp Label (Available on most models)
Row Length	1T5HO - One T5HO Lamp ¹ 2T5HO - Two T5HO Lamps ¹ 3T5HO - Three T5HO Lamps ¹ 1T8 - One T8 Lamp 2T8 - Two T8 Lamps 3T8 - Three T8 Lamps	Adjustable Cable Length 48 - 48" 96 - 96" Other lengths available on request.	Ballast E - Electronic, Instant Start (Standard for T8) EP - Electronic, Programmed Start (Standard for T5 & T5HO, optional for T8) ED - Electronic, Dimming (Must specify) Unless specified, Alera will use fewest ballasts possible.	Housing Finish MW - Matte White (Std.) ZT - ZET Metallic Silver See MTX-1 for other color selections.	
4 - 4' Single 8 - 8' Single 12 - 12' Single — - Indicates row length over 12' in 4' increments Note: Rows over 12' will be configured by Alera. Example: 16' will be (2) 8'. Alternate configurations: contact factory. (12' not available in WM)	Distribution Blank - 60% Uplight, 40% Downlight 0/100 - 0% Uplight, 100% Downlight ² 20/80 - 20% Uplight, 80% Downlight ² 40/60 - 40% Uplight, 60% Downlight ² 85/15 - 85% Uplight, 15% Downlight 100/0 - 100% Uplight, 0% Downlight (Fully indirect)				

¹ T5/T5HO at risk for socket shadow in downlight component.
² Dust cover not available when using these optical distribution covers.
³ Specify voltage. For additional, specify quantity before nomenclature (Example: 2EL120, EMC277).
⁴ Not available with all configurations; some limitations apply. Contact factory for details.
⁵ One extra feed drop per row with through wiring. (Standard is one 4ft lamp per circuit.)

Description

Solo is an innovative direct/indirect luminaire, the ideal choice for classrooms, high-ceiling offices, and large atrium areas. Designed to combine favorable components of direct and indirect lighting systems, Solo offers superior performance and complete flexibility.

Construction

Housings are constructed of code-gauge steel and are reinforced to achieve maximum rigidity. Upper reflectors are constructed of specular anodized aluminum for precise upward distribution.

The parabolic louver is securely attached to the housing from the top, eliminating any chance of loosening or falling from the fixture. Constructed of semi-specular anodized aluminum, the eleven-cell louver measures 1 1/2" high and provides maximum efficiency and a glare-free environment. Specular aluminum is available as an optional louver finish.

Finish

The housing is finished with a baked powder coat matte white finish as standard. End caps and intermediate aligners are painted to match the housing. Hanging stems and canopies are painted white. Cable fittings are standard chrome.

Installation

No removal of parts is needed for installation. Aligners are supplied for intermediate connection points, providing sturdy attachment for straight continuous rows. The innovative double hanging system allows suspension points to be placed on 48" centers for quick and easy installation. Rigid stems are available as options.

