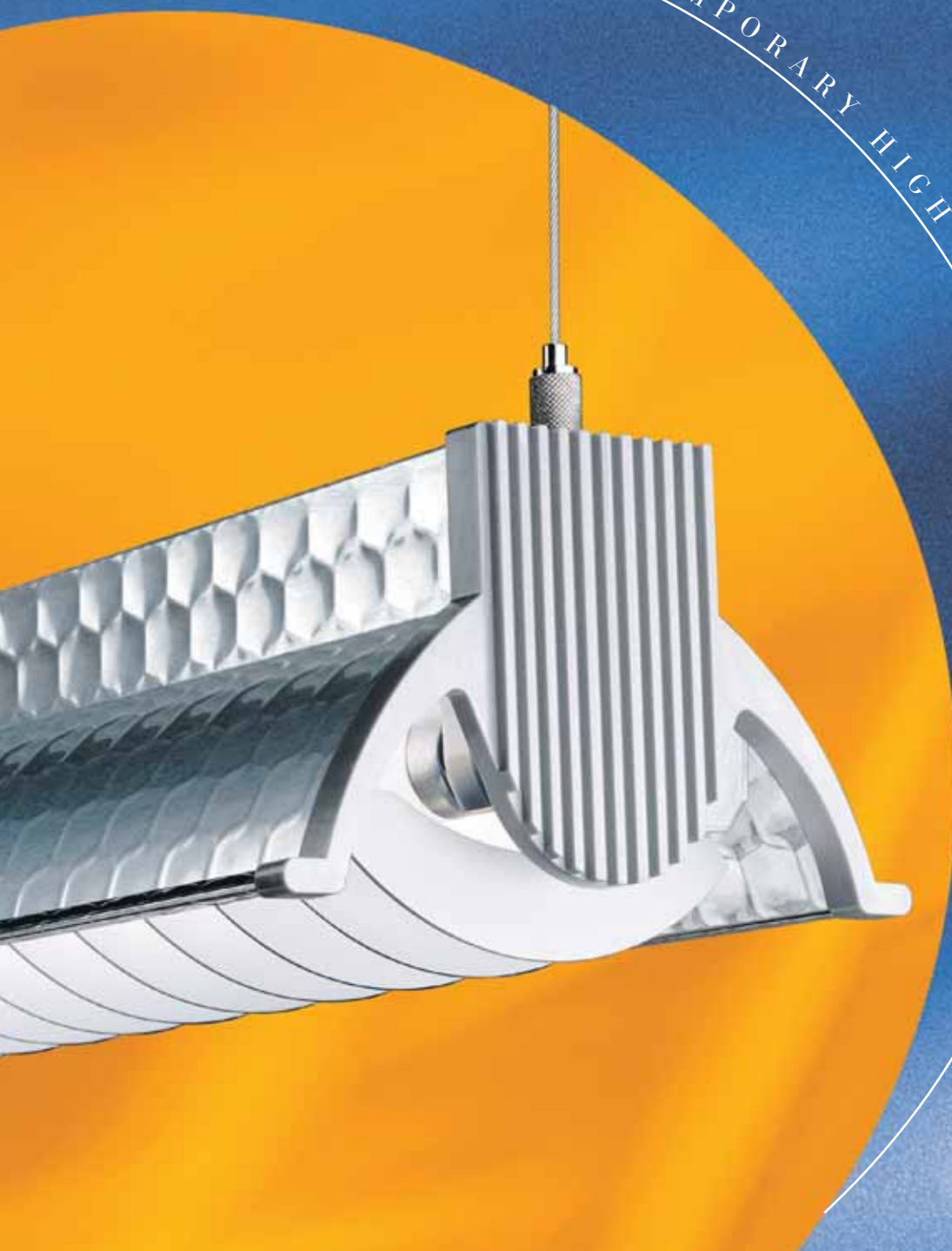
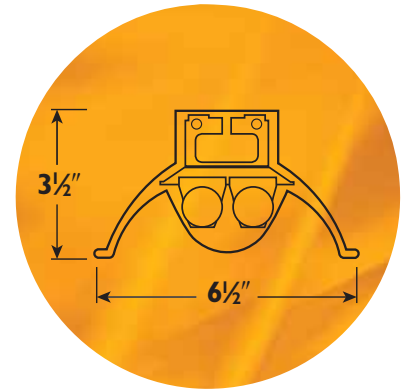
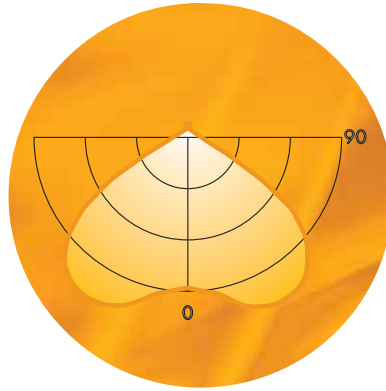


Quest

CONTEMPORARY HIGH TECH APPEARANCE



ALERA
LIGHTING



Aesthetics

Quest is a unique and contemporary luminaire with a high tech appearance. A distinctive honeycombed embossed pattern strengthens the aluminum and produces an interesting texture. Injection-molded ribbed end caps provide an interesting and decorative finishing touch.

Performance

Available with either one or two T8, T5 or T5HO lamps, Quest provides a wide batwing distribution. With a spacing to mounting height of 1.4, wide spacing between fixtures is the norm. In addition, the extremely high output of the T5HO lamp allows the fixtures to be used in areas with very high ceilings.

Size

Quest's diminutive profile and unique design deliver an ingenious, inconspicuous appearance. A distinctive coupler system ensures consistency in fixture shape and size when Quest is used in long rows.

Ordering Information

Example: QST-24-2T8-S-CM48-EU-AL (for a 24' row)

QST - - - - -		AL - - - - -	
Model QST - Quest		Shielding Blank - Unshielded (Std.) LD - Low Iridescent Semi-Specular Aluminum WCB - White Cross Baffle SCB - Silver Cross Baffle	Voltage 120 - 120V 277 - 277V 347 - 347V U - 120V-277V
Row Length Specify entire row		Suspension Length 48 - 48" (Adjustable) Other lengths available on request.	Fixture Length Single or Row Individual Lengths. Note: Fixtures in rows are modular & will be identified as components within the row by their individual lengths. Lengths for this product are: 4 = 4' 8 = 8'
Lamp Type & Profile 1T8 - One T8 Lamp 2T8 - Two T8 Lamps 1T5 - One T5 Lamp 2T5 - Two T5 Lamps 1T5HO - One T5HO Lamp 2T5HO - Two T5HO Lamps		Ballast Type E - Electronic, Instant Start (Std. for T8) EP - Electronic, Programmed Start (Std. for T5 & T5HO, optional for T8) ED - Electronic, Dimming, 0-10V Standard ESD - Electronic, Step Dimming (Contact factory) Unless specified, Alera will use fewest ballasts possible.	Finish AL - Mill Finish Aluminum (Std.) If other color desired contact factory. Both inside and outside must be painted the same.
Housing Type S - Solid PERF - Perforated			Options EL - Emergency Battery Pack (Small case only) GLR - Fast Blow Fuse GMF - Slow Blow Fuse CSA - UL listed or CSA certified for Canada TBAR - T-Bar Mounting LR - Left/Right Switching* DL - Damp Label *Switching configuration must be provided.
Mounting Method CM - Adjustable Aircraft Cable Mount (Std.) SM - Surface Mount			

Description

Quest is a direct, suspended luminaire manufactured from 99.9% pure aluminum. Alano's Miro finish is applied to the aluminum prior to the patented embossed honeycomb pattern. This unique pattern enhances its contemporary, high tech design and diffuses any lamp image. Available with one or two T8, T5 or T5HO lamps, Quest delivers a wide batwing distribution that facilitates wide fixture spacing.

Construction

Quest's center support is constructed of 20-gauge steel. The aluminum reflector system is anodized on both sides to provide an extremely long defect-free life. A specular finish with a total reflectance of 95% is utilized on the inner reflector. Stone gray molded end caps and couplers compliment the aluminum housing.

Shielding

The optional parabolic louver is constructed of matte anodized semi-specular aluminum. The eleven-cell louver measures 1 1/2" high and provides maximum efficiency and a glare-free environment. Guaranteed to be free from defects for a period of 25 years, the aluminum finish will remain dust and fingerprint free. A curved, straight blade louver is available in either white or silver.

Installation

Quest is available in 4' and 8' lengths. Aircraft cable suspension points are located exactly 48" and 96" apart to facilitate easy installation. Injection-molded couplers are provided for adjoining fixtures, which conceal seams and properly align housings. Decorative end caps easily attach to the fixture ends with supplied bolts.