

Ascend

COLORFUL GLOW STRIPS



ALERA
LIGHTING

Ascend

Ascend to new heights with Alera's latest indirect offering. Soft beams of light emit through the glow strips to jazz up any environment. If you are trying to guide people to specific areas, blend color within your space, or make a statement by utilizing corporate colors, Ascend is your solution. In addition to beauty, the luminaire offers three lamping options and the choice of two die cast end caps. Ascend is the latest example of inspired illumination by Alera Lighting.

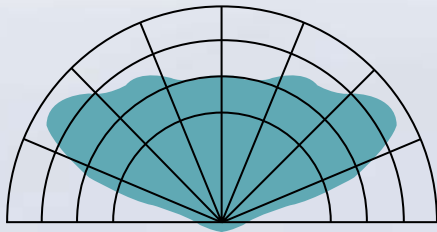


Fixture shown with blue glow strips and sculpted end caps.



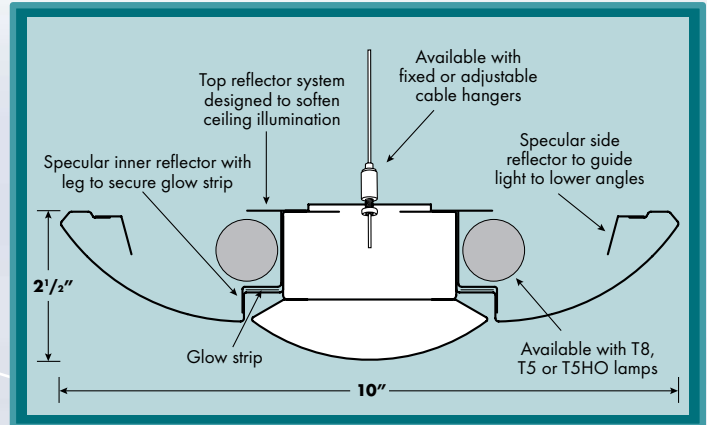
A Rainbow of Illumination

Like rays from the sun, light filters through slots in the housing. The illumination can be changed from a soft white to a rainbow of colors that are available for blending, complimenting, or contrasting within the space. Screen Art™ is applied to the acrylic glow strips to create just the right shade with one of our five standard colors or by utilizing the Pantone Matching System. This high quality screen printing (like the printing on computer keyboards) will not fade or degrade over time.



ASC-2T5HO-S-CM-E

Additional photometrics are available on our web site at www.aleralighting.com

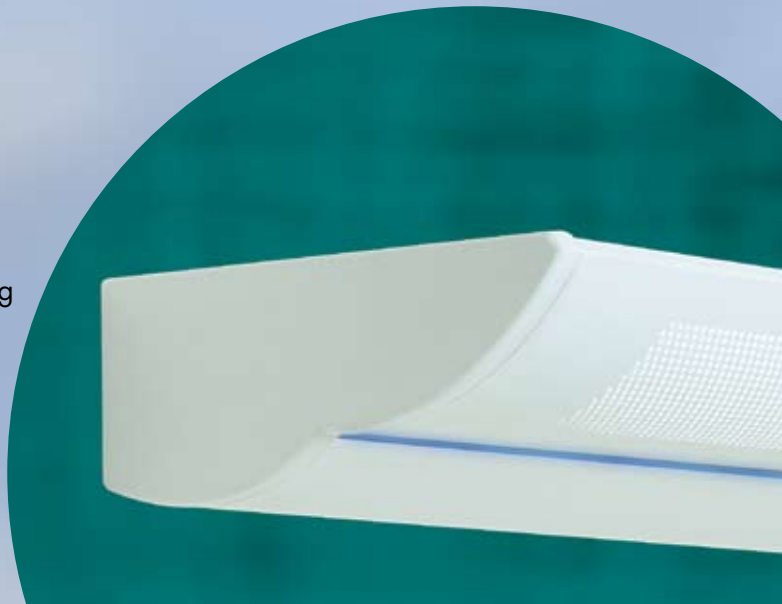


Key Features

Ascend products are easy to install with features like aircraft cable suspension devices that simply rotate into place and permit horizontal adjustment. Quick connect plugs make installation effortless even with complicated wiring schemes. Modular suspension points allow fixtures to be mounted directly to T-bar ceiling systems. Internal die cast plates with tongue and groove aligners at each end of fixture provide extra rigidity and ensure that adjoining fixtures are straight and seams are consistent with no light leaks.

Wall Mount

Soft curves on Ascend's wall mount version make a pleasing architectural statement. A smooth aluminum die cast end cap outlines Ascend's diminutive shape while the optional sculpted end cap gently finishes the luminaire end of row. Variations include a solid, perforated, or slotted wing.



Ordering Information

Example: ASC-8-2T8-PERF-CM48-EU-MW

<p>Model ASC - Ascend</p> <p>Row Length 4 - 4' Single 8 - 8' Single - - Indicate row length over 8' in 4' increments Note: Rows over 8' will be configured by Alera. Example: 16' will be (2) 8'. Alternate configurations: contact factory.</p> <p>Lamp Type & Profile CM 2T5 - Two T5 Lamps 2T5HO - Two T5HO Lamps 2T8 - Two T8 Lamps WM 1T5 - One T5 Lamps 1T5HO - One T5HO Lamps 1T8 - One T8 Lamps</p>	<p>Wing Type PERF - Perforated S - Solid HSLT - Horizontal Slot VSLT - Vertical Slot</p> <p>Mounting Method FCM - Fixed Aircraft Cable Mount (Non-adjustable, Std.) CM - Adjustable Aircraft Cable Mount WM - Wall Mount</p>	<p>Suspension Length 48 - 48" 96 - 96" Other lengths available on request.</p> <p>Ballast Type E - Electronic, Instant Start (Standard for T8) EP - Electronic, Programmed Start (Standard for T5 & T5HO, optional for T8) ED - Electronic, Dimming (Must Specify) Unless specified, Alera will use fewest ballasts possible.</p>	<p>Voltage U - 120V-277V 120 - 120V 277 - 277V 347 - 347V</p> <p>Finish MW - Matte White (Std.) ZT - ZET Silver Metallic Finish See MTX-1 for other color selections.</p> <p>Options GSVAR - Varigated Glow Strip GSRED - Red Glow Strip GSBLU - Blue Glow Strip GSVLT - Violet Glow Strip GSGRN - Green Glow Strip GS - Glow Strip (Custom color to be designated.) SCE - Sculpted End Cap (5 3/8") LR - Left/Right Switching (2-Lamp only) EL - One Emergency Battery Pack^{1, 2} EMC - One Emergency Circuit^{1, 2, 3} NL - Night Light Circuit^{1, 2, 3} GLR - Fast Blow Fuse GMF - Slow Blow Fuse TBAR - T-Bar Mounting Clip CSA - UL listed or CSA certified for Canada DL - Damp Label (Available on most models)</p>
---	---	--	---

¹ Specify voltage. For additional, specify quantity before nomenclature (Example: 2EL120, EMC277).

² Not available with all configurations; some limitations apply. Contact factory for details.

³ One extra feed drop per row with through wiring. (Standard is one 4ft lamp per circuit.)

Construction

Ascend is constructed of heavy 20-gauge steel with perforated, slotted, or solid wings in a 10" by 2½" profile. Perforated sections include a hole pattern that measures .0625" in diameter, provides 23% opening per square inch (refer to the TID sheet for an illustration) and has a white acrylic diffuser overlay.

Horizontal slots run along the length of the wing in six rows of .094" x 1.000 obround openings. Vertical slots are perpendicular to the wing in two rows of .094" x 1.000 obround openings. Both allow for a 65% opening per square inch.

Ascend is available with two lamps on the suspended version and one lamp on the wall unit in T8, T5, or T5HO. Quick connect plugs are provided as standard for mounting in rows. The housing is designed to wrap around the inner die cast plate and secures on top with concealed screws to ensure fixtures are constant. Tongue and groove alignment guarantees excellent fit between fixtures, resulting in consistently straight rows with no snaking. The luminaire utilizes a high efficiency reflector as standard that allows for a wide light distribution.

The unique glow strip between the main fixture housing and the wing contains a soft white acrylic diffuser. Ascend's colored glow strip is achieved by applying Screen Art™ to the diffuser. This is the same technology used on keyboards which provides maximum aesthetic flexibility, easy maintenance, and proven durability. In addition to five standard colors, a custom color can be specified.

Finish

The housing and all painted parts are treated with a multi-stage phosphate bonding process. Parts are then finished with a white RAL powder coat finish for maximum coverage and longevity.

Mounting

Ascend is provided with fixed cables that have a total vertical adjustment of 1¼". A fully adjustable aircraft cable mechanism is optional. Slotted inner die cast plate allows for horizontal adjustment when leveling the row. End of cable barrel screws into a standard ¼" - 20 bolt brought down from the ceiling. Cover plates are provided to conceal the ceiling cutout. A feed canopy is provided for each feed location. All fixtures are suspended at modular increments and must be supported at each fixture housing end. Refer to the Ascend TID sheet for actual hanging points for specific row information.

The wall mounted unit utilizes our new Universal Mounting System. Brackets are installed to wall through continuous holes to ensure mounting to the studs. The fixture is attached to the bracket through keyhole slots in the back of the fixture. Simply tightening or loosening the bolts every four feet accomplishes leveling.

Labels and Electrical

All fixtures bear appropriate UL or CSA labels. Fixtures are prewired with electronic T8, T5, or T5HO ballasts as specified and are available in 120, 277, or 347 volt. All fixtures are wired for single circuit operation but additional circuits can be supplied as an option by designating LR switching.

