

Wireless Comes to Light

## Integrated Fixtures With Wireless Distributed Lighting Controls



Hubbell Lighting, Inc.



### 1 Access Point

- Web based commissioning and monitoring of the wiHUBB network
- Integrated web server provides connection via standard web browsers
- Easy system access from local network or Internet
- Intuitive and easy to use Graphical User Interface (GUI)
- Ability to schedule and manage wiHUBB-enabled devices and groups of devices



### 2 Occupancy/Vacancy

- IR, Ultrasonic & Dual Tech Sensors
- IntelliDAPT® self-adaptive technology – no manual adjustment required
- Non-volatile memory for sensor settings
- SmartPORT Plug and play integration with wiHUBB Smart Pack



### 3 Daylight Harvesting

- Open loop operation
- Mounts vertically or horizontally
- Architecturally attractive design
- SmartPORT Plug and play integration with wiHUBB Smart Pack



### 5 Smart Pack

- Single or dual relay versions for On/Off or High/Low control
- 0-10VDC interface for full range dimming capabilities
- SmartPORT Plug and play support for wiHUBB occupancy sensors, daylight sensors and switches
- Monitors and measures energy consumption and temperature



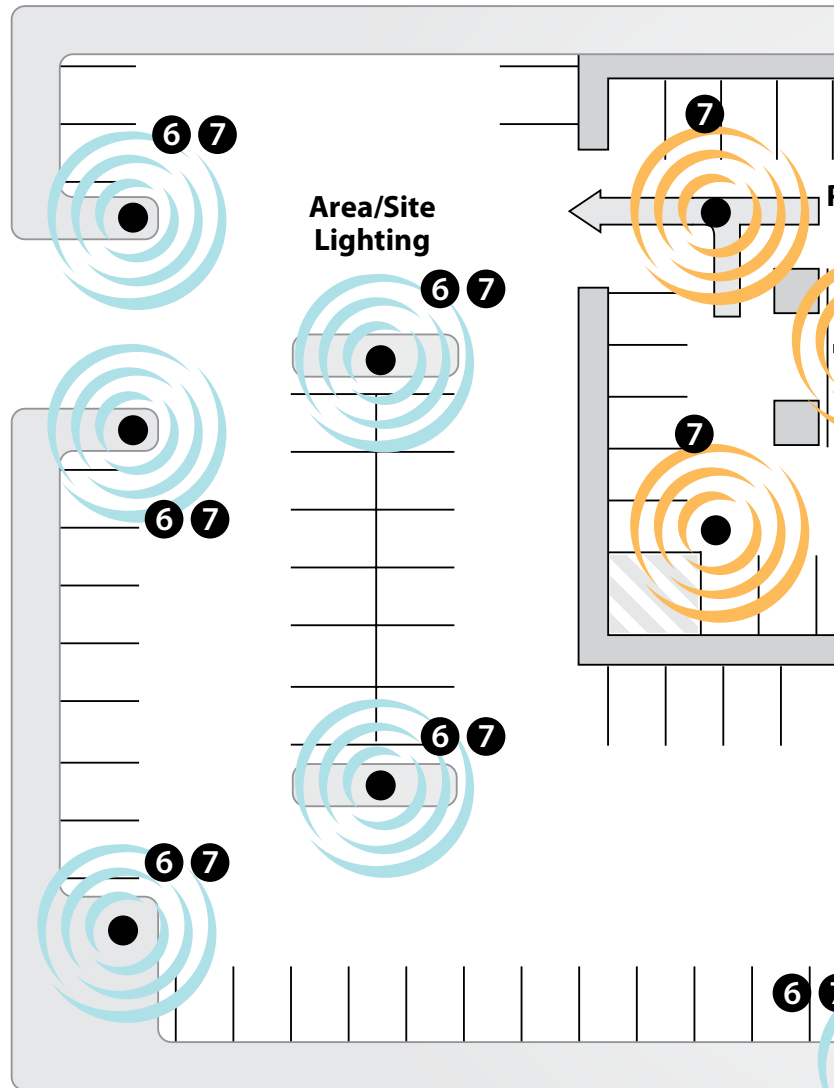
### 6 On-Fixture Module

- On/Off outdoor lighting control
- Replaces standard Twist Lock Photo Sensors
- Integrated daylight sensor
- Perfect retrofit solution
- Monitors and measures energy consumption and temperature



### 7 In-Fixture Module

- Single or dual relay versions for On/Off or High/Low control
- 0-10VDC interface for full range dimming
- Monitors and measures energy consumption and temperature





# wiHUBB™

## A P P L I C A T I O N S

### Area/Site Lighting

- In-Fixture or On-Fixture Modules installed in or on lighting fixtures
- Access Point for scheduling of On/Off and dimmed levels
- Demand Response ready

### Parking Garage Lighting

- In-Fixture Modules installed in lighting fixtures
- Time based scheduling of On/Off and dimming levels
- Access Point for scheduling of On/Off and dimmed levels
- Demand Response ready

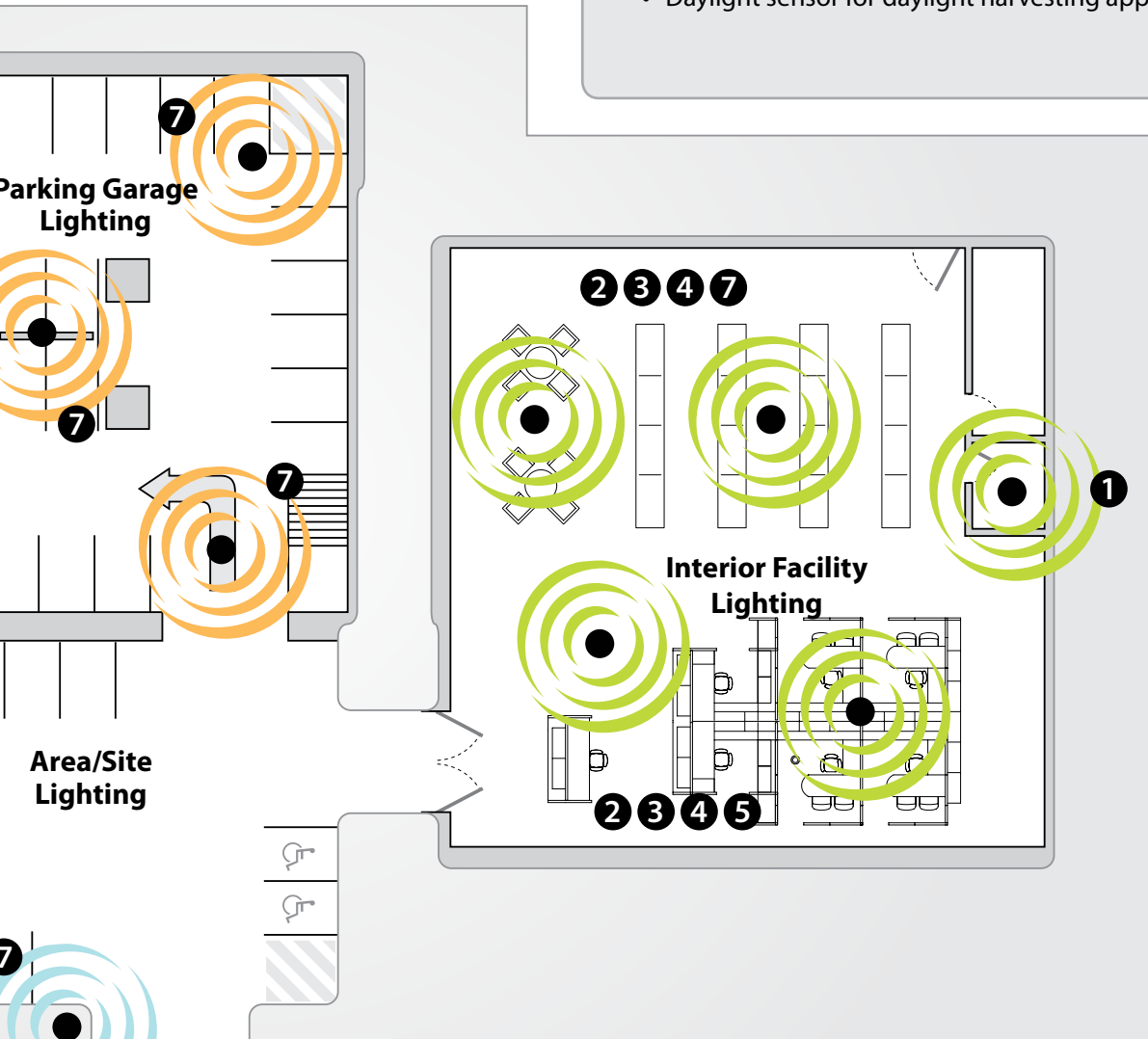
### Interior Facility Lighting

- In-Fixture Modules installed in lighting fixtures
- Smart Pack installed controlling lighting circuits
- Access Point for scheduling and device management
- Switch Stations for Manual On/Off control
- Occupancy/Vacancy sensors for Auto/Manual On, Auto Off control
- Daylight sensor for daylight harvesting applications

### 4 Switch Stations



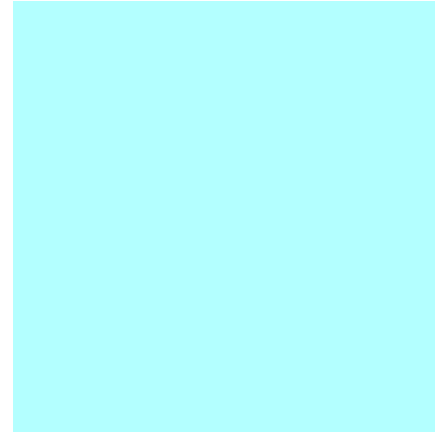
- Multiple switch options available: On/Off, Gen-A/V, High/Low, On/Raise/Lower/Off, Raise/Lower, Timed On, 4-Button Preset
- All switches mount to standard single or multigang wall boxes
- SmartPORT Plug and play integration with wiHUBB Smart Pack



Building Automation, Inc.



# Indoor



## Microlyne Mini



- Narrow aperture slot light
- Recessed, suspended, or wall mounted
- 2 1/2" aperture and versatile optics define the space
- Up to 84% efficient



## Microlyne



- Recessed, suspended, wall mounted
- 3 1/2" aperture and versatile optics define the space
- Staggered lamps available for long lines of continuous light
- 1-lamp cross sections up to 86% efficient



## ALL LiteFrame LED



LF6LED

- Light engine utilizes remote phosphor technology for controlled color consistency
- Over 50+ lumens per watt delivered
- Minimum 50,000 hours at 70 percent lumen maintenance
- Standard with wet location and 0-10V dimming compatibility

## ALL LiteFrame CFL



LF6CFH132EB

- Features WFT2 optics with nominal 60° cutoff for high efficiency and wide spacing
- Iridescence suppressed, semi-diffuse, self-trim Alzak reflectors
- Baffled units standard with painted white self-trim

## wiHUBB Intelligent Lighting Controls - A Family of Options

With Hubbell Building Automation's wiHUBB® Wireless Distributed Lighting Control System, intelligent lighting control is available for a variety of indoor and outdoor applications featuring many of Hubbell Lighting's most trusted lighting brands.

Hubbell Lighting's brands offer smart, efficient lighting fixtures available with the wiHUBB option's preinstalled wireless lighting control capabilities.

**Columbia**  
LIGHTING

**STE**



- Recessed indirect fixture provides a clean ceiling while providing soft, uniform indirect illumination
- Best-in-class efficiency provides excellent energy savings
- Precision optical system produces an efficient luminaire without sacrificing high visual comfort

**TRA**



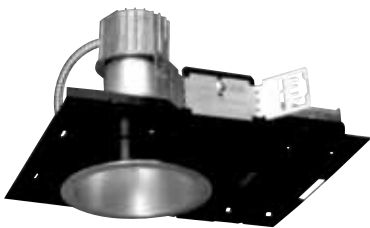
- Unparalleled efficiencies over 90% help reduce operating costs and meet energy codes
- Balanced reflector and lens curves provide architectural interest with low brightness and contrast
- Wide variety of lumen packages to meet almost any need
- Optional acrylic dust guard protects lamp compartment from airborne debris

**EPC**



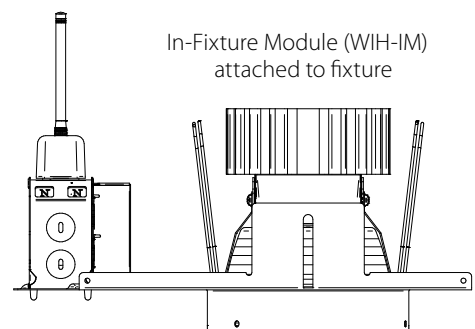
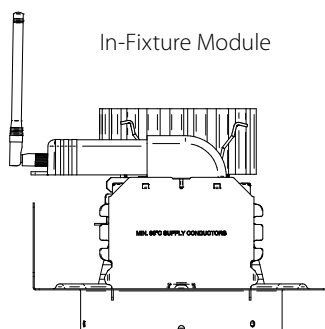
- Two-lamp, energy efficient luminaire designed to provide full distribution and energy savings
- Same lumens as conventional 3-lamp parabolics and lensed troffers with 33% energy savings

**ALL Architektür CFL**

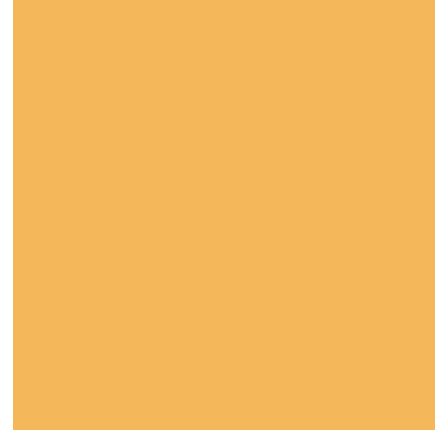


**CFT632EB**

- VirtualSource® optics with a 45° cutoff for premium glare control
- Compact fluorescent downlight with superior brightness
- Available in regressed lensed trims with wet location listing and 3-inch lens regress above ceiling



# Outdoor



**KIM LIGHTING**

**Warp9®  
LED**



- Patented design, incorporating visual stealth technology
- The first outdoor luminaire to feature exclusive MicroEmitter™ LED technology to effectively capitalize on the incredible efficiency, long life and brightness of solid state technology
- Features LifeShield™ Protection System for extreme temperature conditions
- 0-10V dimming capabilities
- Upgradeable as LED technology advances
- DLC approved (Type III, 5100K)

**PGL7 LED**



- The newest innovation in parking structure and low level mounting luminaires
- Modern, multi-distribution luminaire that allows light to be directed where it is needed
- Featuring exclusive MicroEmitter™ LED technology with 0-10V dimming capabilities
- LifeShield™ Protection System makes this ideal for extreme temperature conditions
- Upgradeable as LED technology advances

**The Archetype  
LED**



- Eclectic shape that readily adapts to and universally complements contemporary architectural design.
- Featuring exclusive MicroEmitter™ LED technology with LifeShield™ Protection System
- Upgradeable as LED technology advances
- 0-10V dimming capabilities
- DLC approved (Type III and V, 5100K)

**HUBBELL**  
Outdoor Lighting

**Laredo  
LED**



- Energy efficient decorative LED wallpacks featuring Southwest Series styling
- Medium size LMC is designed for mounting heights from 15-18 ft.
- 71W- up to 4673 lumens- 66CPW.
- LMC 36W- Up to 2500 Lumens 69 LPW.
- LMC 13W- Up to 820 Lumens 64 LPW.
- IDA compliant- no uplight.

**SPAULDING  
LIGHTING**

**Fresno**



- Features Southwest Series ribbed extruded aluminum housings with single screw access for top relamping, formed aluminum round or square flat top with tamper resistant hardware
- Rotatable LED assembly adjustment for ideal placement and aiming of asymmetric light pattern
- Available in two different color correlated temperatures (3500K and 5100K)
- Long life 50,000 hour L70 rated at 25°C
- 0-10V Dimming Capability.
- 5 year limited system warranty

By utilizing wireless technology, wiHUBB makes the installation and maintenance of energy-saving lighting controls in new construction and retrofits simple and effortless – a goal that every Hubbell Lighting brand strives for with each product and technology initiative.



**Universe®  
LED**



- Decorative yet functional design that transcends architectural styles past and present
- Part of AAL's Designer SSL Series, featuring exclusive MicroEmitter™ LED technology for ample, low glare, uniform illumination
- Features LifeShield™ Protection System for extreme temperature conditions
- 0-10V dimming capabilities
- Upgradeable as LED technology advances
- DLC approved (Type 3 and 5, 5100K)

**Providence®  
LED**



- Part of AAL's Designer SSL Series, one look is all it takes to discern that Providence LED is the epitome of quality and beauty.
- Featuring exclusive MicroEmitter™ LED technology with LifeShield Protection System
- Upgradeable as LED technology advances
- 0-10V dimming capabilities
- DLC approved (Type 3 and 5, 5100K)

**Parkway  
Square™**



- Part of AAL's Designer SSL Series, featuring exclusive MicroEmitter™ LED technology for ample, low glare, uniform illumination.
- Features LifeShield™ Protection System for extreme temperature conditions.
- Unique modular design including four optical systems, four hood choices, five decorative screen options, and various custom arm options, makes Parkway Square the perfect choice for any project.
- Upgradeable as LED technology advances
- DLC approved (Type 3 and 5, 5100K)



**Tempe LED**



- The stylish new Tempe bollard is available in round or square styles, featuring distinct cast aluminum ribbed design tops complementing the Laramie flood, Laredo wallpack, and Medallion and Cimarron Area Lighters
- Energy-saving LED
- LED Retrofit Kit available
- Symmetric and asymmetric distributions
- 0-10V Dimming Capability

**Cimarron  
LED**



- Architectural die-cast design with unique heat-dissipating vertical fins
- 5K, 10K and 15K lumen packages in Type II, III, IV and V Square distribution
- 50,000 hrs life
- IDA approved
- 0-10V Dimming Compatibility
- DLC certified



Hubbell Lighting, Inc.



701 Millennium Blvd. Greenville, SC 29607  
Tel 864.678.1000

[www.hubbellighting.com](http://www.hubbellighting.com)

[www.aal.net](http://www.aal.net)

[www.aleralighting.com](http://www.aleralighting.com)

[www.columbialighting.com](http://www.columbialighting.com)

[www.hubbell-automation.com](http://www.hubbell-automation.com)

[www.hubbelloutdoor.com](http://www.hubbelloutdoor.com)

[www.kimlighting.com](http://www.kimlighting.com)

[www.prescolite.com](http://www.prescolite.com)

[www.spauldinglighting.com](http://www.spauldinglighting.com)