

### FEATURES

- Heavy 20-gauge construction for excellent housing rigidity
- Two unique glow strips below each lamp provide a subtle light highlight on bottom of fixture housing
- Color filters are available to enhance innovative glow strip
- Low profile 2½" housing for a sleek modern appearance
- Available in 4' and 8' lengths
- Flat endcap standard (5⅜")
- Unique die cast aluminum, tongue and groove couplers provide zero tolerance alignment between fixtures and ensure consistently straight rows (Patent# 6,796,676B2)
- Modular mounting points for convenient hanging locations
- Wall Mount (WM) utilizes the universal wall mounting system (Wall brackets painted standard matte white unless otherwise specified)
- Simple suspension hardware for contractor friendly installation
- UL listed 1598. Damp label available on most models



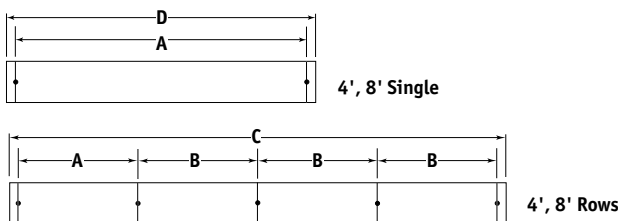
Ascend

### ORDERING INFORMATION

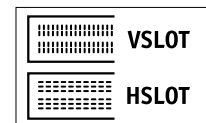
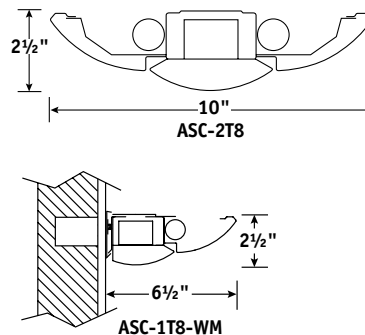
ASC - [ ] - [ ] - [ ] - [ ] - [ ] - [ ] - [ ] - [ ] - [ ]						
MODEL	LAMP TYPE & PROFILE	WING TYPE	SUSPENSION LENGTH (CM)	VOLTAGE	OPTIONS	
ASC Ascend	<b>CM</b> 2T5 2 T5 Lamps 2T5HO 2 T5HO Lamps 2T8 2 T8 Lamps <b>WM</b> 1T5 1 T5 Lamp 1T5HO 1 T5HO Lamp 1T8 1 T8 Lamp	<b>PERF</b> Perforated <b>S</b> Solid <b>HSLT</b> Horizontal Slot <b>VSLT</b> Vertical Slot	<b>48</b> 48" <b>96</b> 96" <b>144</b> 144" Not applicable for wall mount. Other lengths available on request.	<b>U</b> 120V-277V <b>120</b> 120V <b>277</b> 277V <b>347</b> 347V	<b>GSVAR</b> Variegated Glow Strip <b>GSRED</b> Red Glow Strip <b>GSBLU</b> Blue Glow Strip <b>GSVLT</b> Violet Glow Strip <b>GSGRN</b> Green Glow Strip <b>GS</b> ___ Glow Strip (Custom color to be designated) <b>SCE</b> Sculpted End Cap (5⅜") <b>LR</b> Left/Right Switching (2-Lamp only) <b>EL</b> One Emergency Battery Pack <sup>1, 2</sup> <b>EMC</b> One Emergency Circuit <sup>1, 2, 3</sup> <b>NLC</b> Night Light Circuit <sup>1, 2, 3</sup> <b>GLR</b> Fast Blow Fuse <b>GMF</b> Slow Blow Fuse <b>TBAR</b> T-Bar Mounting Clip <b>CSA</b> UL listed or CSA certified for Canada <b>DL</b> Damp Label (Available on most models)	
ROW LENGTH	MOUNTING METHOD		BALLAST	FINISH		
<b>4</b> 4' Single <b>8</b> 8' Single — Indicate row length over 8' in 4' increments  <b>Note:</b> Rows over 8' will be configured by Alera. Example: 16' will be (2) 8'. Alternate configurations: contact factory.	<b>FCM</b> Fixed Aircraft Cable Mount (Non-adjustable, Std.) <b>CM</b> Adjustable Aircraft Cable Mount <b>WM</b> Wall Mount		<b>E</b> Electronic, Instant Start (Std. for T8) <b>EP</b> Electronic, Programmed Start (Std. for T5 & T5HO, optional for T8) <b>ED</b> Electronic, Dimming (Must specify) <b>ESD</b> Electronic, Step Dimming (N/A on WM)  Unless specified, Alera will use fewest ballasts possible.	<b>MW</b> Matte White (Std.) <b>GW</b> Gloss White <b>ZT</b> ZET Metallic Silver  See page 183 for other color selections.		

<sup>1</sup>Specify voltage. For additional, specify quantity before nomenclature (Example: 2EL120).  
<sup>2</sup>Not available with all configurations; some limitations apply. Contact factory for details.  
<sup>3</sup>One extra feed drop per row with through wiring. (Standard is one 4ft lamp per circuit.)

### MOUNTING INFORMATION



### CROSS SECTIONS



For exact slot patterns contact factory.

### DATA CHART - CM

NOMINAL LENGTH	APPROX. WEIGHT (LBS.) 2-LAMP	A	B	C	D
8'	20	95¼"	96"	384⅝"	96⅝"

Note: Suspension data is computed using the standard aircraft cable assembly. The use of rigid stems will yield different data. Please consult factory for stem data. Calculations include standard flat end caps.

<b>Name:</b>	ASC-2T8-S-CM-E
<b>Test #:</b>	13210
<b>Efficiency:</b>	69.5%
<b>LER:</b>	60

Definitions on page 182.