

MICROLYNE  
RECTILINEAR FAMILY

BEAMS

### FEATURES

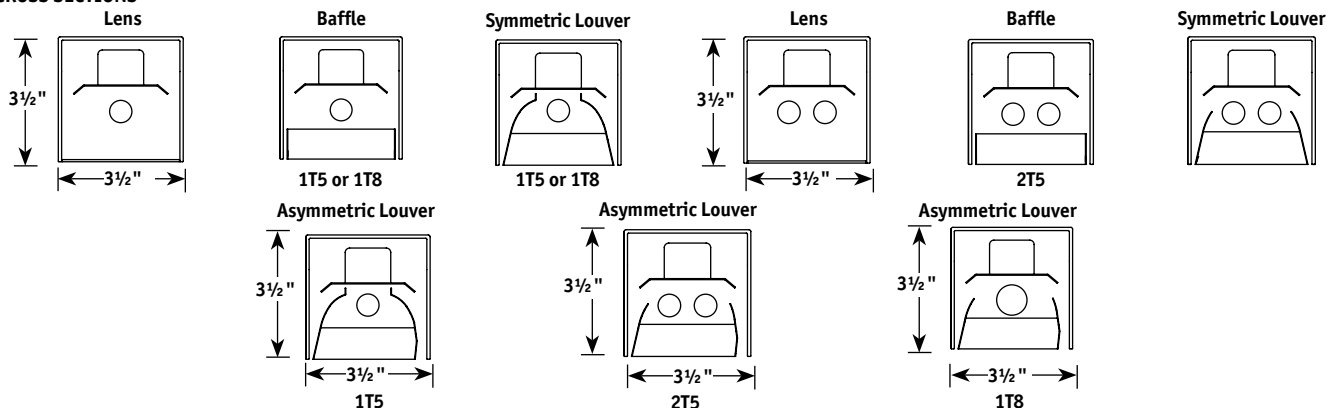
- 3.5" x 3.5" minimalist rectilinear shape
- 1 or 2 T5 or T5HO, 1T8
- Cable Mount – uses adjustable aircraft cable with simple screw on connections
- Surface Mount – can mount to T-Bar, drywall, wooden or drywall beams
- Wall Mount – uses cleverly designed, ADA compliant, steel wall brackets to create a floating appearance approximately 1/2" from the vertical wall surface
- Extensive aesthetic options
- Symmetric downlight distribution standard
- Staggered lamps optional to create continuous, unbroken rows of light available and on separate page - see M STG
- Available with optional light modules and corners
- Full family including cable mount, wall mount, surface mount and recessed
- Companion fixtures include the 2 1/2" wide Mini and 3 1/2" x 5" Direct-Indirect
- Aesthetic continuity across family, shielding and options
- UL listed 1598. Damp Label available on most models
- Available with exclusive wiHUBB technology preinstalled (WIH option)
  - Peer to peer, self-healing wireless mesh network
  - Integrated control system for 0-10VDC or step dimming, or On/Off

### ORDERING INFORMATION

<b>M</b>																			
MODEL	ROW LENGTH	ROW PATTERN	MOUNTING METHOD	SUSPENSION LENGTH (CM)	VOLTAGE	FINISH	LIGHT MODULE 4,5	# LIGHT MODULES 5											
M Microlyne (3 1/2")	4 4' 8 8' Single 12 12' Single — Indicate row length in 4' increments 1,2	Blank Straight P Pattern (specify) Pattern layouts require factory approval drawings.	CM Adj. Aircraft Cable Mount SM Surface Mount WM Wall Mount	48 48" 96 96"	U 120V-277V 120 120V 277 277V 347 347V	MW Matte White (Std.) ZT ZET Metallic Silver See page 183 for other color selections.	MR16D MR16 Downlight Module (Need voltage)	1M One 2M Two 3M Three 4M Four											
SYM/ASYM	LAMP TYPE & PROFILE	DOWNLIGHT SHIELDING	BALLAST	OPTIONS	90° CORNER 5														
Blank Symmetric A Asymmetric Louver <sup>0</sup>	1DT5 1 T5 Lamp <sup>3</sup> 2DT5 2 T5 Lamps <sup>3</sup> 1DT5HO 1 T5HO Lamp <sup>3</sup> 2DT5HO 2 T5HO Lamps <sup>3</sup> 1DT8 1 T8 Lamp <sup>3</sup>	OA Opal Acrylic Lens WCB White Cross Baffle MA Matte Anodized Low Iridescent Semi-Specular Aluminum Louver (24 Cell) <sup>0</sup> M4R 95% Reflective Specular Aluminum Louver (24 Cell) <sup>0</sup> HEP High Efficiency Parabolic Specular Louver (15 Cell) <sup>0</sup>	E Electronic, Instant Start (Std. for T8) EP Electronic, Programmed Start (Std. for T5 & T5HO, optional for T8) ED Electronic, Dimming (Must Specify) <sup>4</sup> ESD Electronic, Step Dimming <sup>4</sup>	LR Left/Right Switching (2-Lamp only) EL 1 Emergency Battery Pack Per Row <sup>4,5,8</sup> EMC One Emergency Circuit <sup>4,5,6,8</sup> NLC Night Light Circuit <sup>4,5,6,8</sup> GLR Fast Blow Fuse GMF Slow Blow Fuse TBAR T-Bar Mounting CSA UL listed or CSA certified for Canada DL Damp Label (Available on most models) WIH wiHUBB Enabled <sup>5,7</sup>	90 One Unlit 90° 6"x6" One corner per row. Square equals 4 rows with one corner each.														

<sup>0</sup> Asymmetric options are limited to M4R, HEP, and MA only.  
<sup>1</sup> Rows over 12' will be configured by Alera. Example: 16' will be (2) 8'. For alternate configurations, contact factory.  
<sup>2</sup> Shorter increments are available—contact factory.  
<sup>3</sup> Lamps may cause visible socket shadow in down light component.  
<sup>4</sup> Specify dedicated voltage.  
<sup>5</sup> Not available with all configurations; some limitations apply. Contact factory for details.  
<sup>6</sup> One extra feed drop per row with through wiring. (Standard is one 4ft lamp per circuit.)  
<sup>7</sup> Surface Mount not available.  
<sup>8</sup> For additional, specify quantity before nomenclature (Example: 2EL120).

### CROSS SECTIONS



<b>Name:</b> M-1T5-HEP-EP
<b>Test #:</b> 14885
<b>Efficiency:</b> 85.5%
<b>LER:</b> 70

Definitions on page 182.