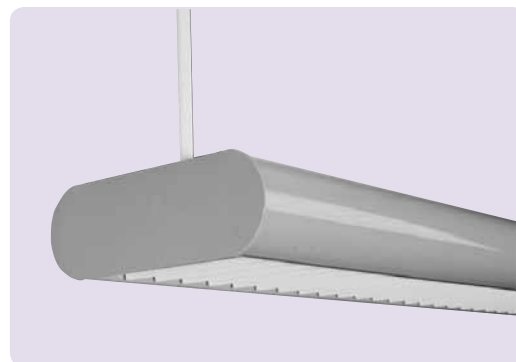


FEATURES

- Ideal for classrooms, retail environments, or any application requiring an economical yet high performance direct/indirect fixture
- Shielding is available with either a straight blade baffle, a parabolic louver, or lens
- Available in 4' or 8' lengths
- High efficiency with wide distribution
- Standard finish is powder coat white. Other optional color finishes are available
- End caps attach with no visible fasteners
- UL listed 1598. Damp label available

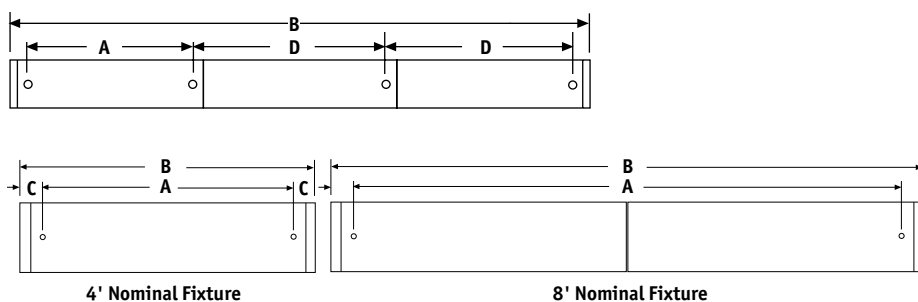


ORDERING INFORMATION

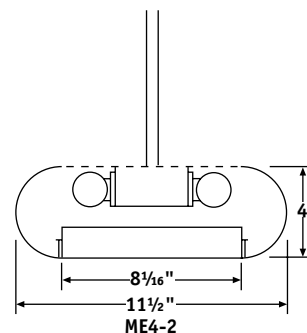
ME	-		-	2T8	-		-		-		-		-		-		-	
MODEL	LAMP TYPE & PROFILE		MOUNTING METHOD		SUSPENSION LENGTH		VOLTAGE		FINISH		OPTIONS							
ME Mentor	2T8 2 T8 Lamps		PM Pendant Mount (S18 Std.) CM Adjustable Aircraft Cable Mount SM Surface Mount		18 18" 48 48" 96 96" Suspension length not applicable for surface mount units.		U 120V-277V 120 120V 277 277V 347 347V		MW Matte White (Std.) GW Gloss White ZT ZET Metallic Silver See page 183 for other color selections.		LR Left/Right Switching EL One Emergency Battery Pack ^{1,2} EMC One Emergency Circuit ^{1,2,3} NLC Night Light Circuit ^{1,2,3} GLR Fast Blow Fuse GMF Slow Blow Fuse CSA UL listed or CSA certified for Canada DL Damp Label (Available on most models)							
ROW LENGTH		DISTRIBUTION		SHIELDING		BALLAST												
4 4' Single 8 8' Single — Indicate row length over 8' in 4' increments Note: Rows over 8' will be configured by Alera. Example: 16' will be (2) 8'. Alternate configurations: contact factory.		Blank Standard 20/80 20% Uplight Reflector, 80% Downlight 0/100 100% Downlight 100/0 100% Uplight		LD Low Iridescent Semi-Specular Louver (Std.) GL Straight Blade Louver, Matte Gray A12 Pattern 12 Acrylic Lens OP Opal Acrylic Lens WCB White Cross Baffle		E Electronic, Instant Start (Std. for T8) EP Electronic, Programmed Start (Optional for T8) ED Electronic, Dimming (Must specify) Unless specified, Alera will use fewest ballasts possible.												

¹Specify voltage. For additional, specify quantity before nomenclature (Example: 2EL120).
²Not available with all configurations; some limitations apply. Contact factory for details.
³One extra feed drop per row with through wiring. (Standard is one 4ft lamp per circuit.)

MOUNTING INFORMATION



CROSS SECTIONS



DATA CHART

NOMINAL LENGTH	APPROX. WEIGHT (LBS.) 2-LAMP	A	B	C	D
		4'	16	43"	48 1/8"
8'	32	91"	96 1/8"	96"	96"

Note: "B" dimensions include (1) 1/8" thick end cap.

Name:	ME-2T8-WCB-E
Test #:	I40009
Efficiency:	80.7%
LER:	70

Definitions on page 182.

