



FEATURES

- 2.5" x 3.5" minimalist rectilinear shape
- 1 T5 or T5HO
- Cable Mount – uses adjustable aircraft cable with simple screw on connections
- Surface Mount – can mount to T-Bar, drywall, wooden or drywall beams
- Wall Mount – uses cleverly designed, ADA compliant, steel wall brackets to create a floating appearance approximately 1/2" from the vertical wall surface
- Extensive aesthetic options
- Symmetric downlight distribution standard
- Available with optional corners
- Full family including cable mount, wall mount, surface mount and recessed
- Companion fixtures include the 3 1/2" wide Microlyne and 3 1/2" x 5" Direct-Indirect
- Aesthetic continuity across family, shielding and options
- UL listed 1598. Damp Label available on most models
- Available with exclusive wiHUBB technology preinstalled (WIH option)
 - Peer to peer, self-healing wireless mesh network
 - Integrated control system for 0-10VDC or step dimming, or On/Off



BEAMS

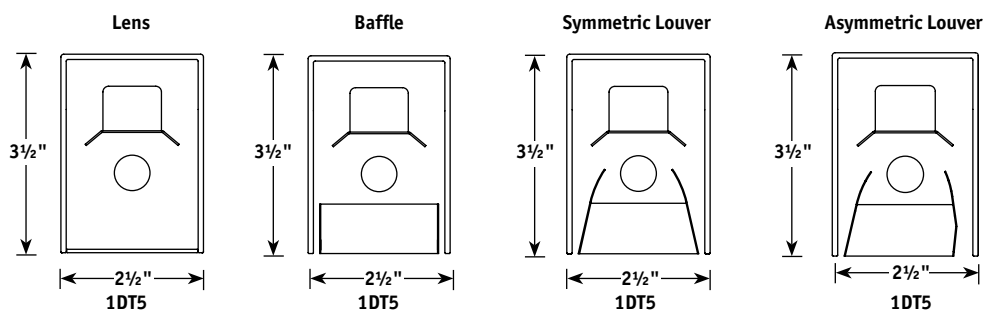
MICROLYNE
RECTILINEAR FAMILY

ORDERING INFORMATION

MODEL	ROW LENGTH	LAMP TYPE & PROFILE	SUSPENSION LENGTH (CM)	VOLTAGE	FINISH	90° CORNER ⁸
MM Microlyne® Mini (2 1/2")	4 4' Single 8 8' Single 12 12' Single — Indicate row length in 4' increments ^{1,2}	1DT5 1 T5 Lamp ³ 1DT5HO 1 T5HO Lamp ³	48 48" 96 96"	U 120V-277V 120 120V 277 277V 347 347V	MW Matte White (Std.) ZT ZET Metallic Silver See page 183 for other color selections.	90 One Unlit 90° 6"x6" One corner per row. Square equals 4 rows with one corner each.
SYM/ASYM	ROW PATTERN	MOUNTING METHOD	DOWNLIGHT SHIELDING	BALLAST	OPTIONS	
Blank Symmetric A Asymmetric Louver ⁰	Blank Straight P Pattern (specify) Pattern layouts require factory approval drawings.	CM Adj. Aircraft Cable Mount SM Surface Mount WM Wall Mount	OA Opal Acrylic Lens WCB White Cross Baffle MA Matte Anodized Low Iridescent Semi-Specular Aluminum Louver (24 Cell) ⁰ M4R 95% Reflective Specular Aluminum Louver (24 Cell) ⁰ HEP High Efficiency Parabolic Specular Louver (15 Cell) ⁰	EP Electronic, Programmed Start (Std. for T5 & T5HO) ED Electronic, Dimming (Must Specify) ⁴ ESD Electronic, Step Dimming ⁴	EL One Emergency Battery Pack Per Row ^{4,5,9} EMC One Emergency Circuit ^{4,5,6,9} NLC Night Light Circuit ^{4,5,6,9} GLR Fast Blow Fuse GMF Slow Blow Fuse TBAR T-Bar Mounting CSA UL listed or CSA certified for Canada DL Damp Label (Available on most models) WIH wiHUBB Enabled ^{5,7}	

⁰ Asymmetric options are limited to M4R, HEP, and MA only.
¹ Rows over 12' will be configured by Alera. Example: 16' will be (2) 8'. For alternate configurations, contact factory.
² Shorter increments are available—contact factory.
³ T5/T5HO lamps are shorter than nominal housing lengths listed. Socket shadow will occur in continuous run applications. (This can be minimized with custom length housings—contact factory.)
⁴ Specify dedicated voltage.
⁵ Not available with all configurations; some limitations apply. Contact factory for details.
⁶ One extra feed drop per row with through wiring. (Standard is one 4ft lamp per circuit.)
⁷ Surface Mount not available.
⁸ For Light Modules, contact factory.
⁹ For additional, specify quantity before nomenclature (Example: 2EL120).

CROSS SECTIONS



Name:	MM-1T5-HEP-EP
Test #:	14936
Efficiency:	83.5%
LER:	68

Definitions on page 182.

