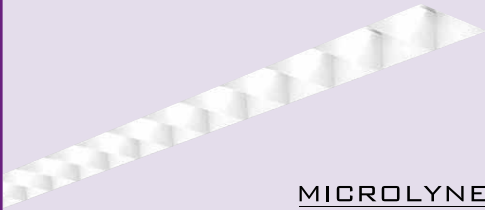


MR

Microlyne® Recessed



MICROLYNE
RECTILINEAR FAMILY

FEATURES

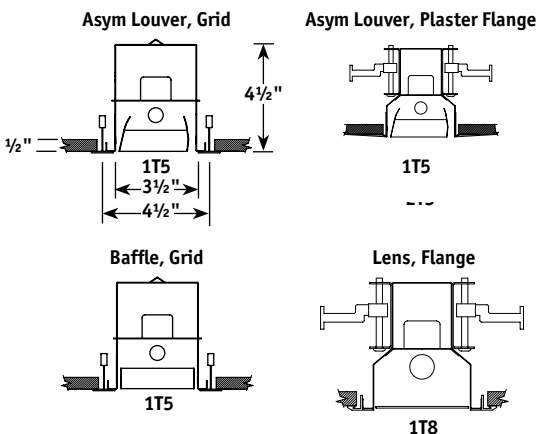
- Minimalist, rectilinear shape with 3½" aperture
- 1 T5 or T5HO, 1T8
- Grid mounting in 15/16" T-Bar (G)
- Flange (F) and Plaster Flange (P) mounting available with winghanger installation
- Single or continuous row mounting
- Symmetric and asymmetric downlight distribution
- UL listed 1598
- Extensive shielding selections provide aesthetic continuity across entire Microlyne® Rectilinear Family
- Family includes cable, surface and wall mount in Mini (2½" × 3½") and Direct-Indirect (3½" × 5")
- Available with exclusive wiHUBB technology preinstalled (WIH option)
 - Peer to peer, self-healing wireless mesh network
 - Integrated control system for 0-10VDC or step dimming, or On/Off

ORDERING INFORMATION

MR	-	-	-	-	-	-	-	-	
MODEL MR Microlyne® Recessed	ROW LENGTH 4 4' Single 8 8' Single — Indicate row length in 4' increments ¹	LAMP TYPE & PROFILE 1T5 1 T5 Lamp ² 1T5HO 1 T5HO Lamp ² 1T8 1 T8 Lamp	MOUNTING F Overlap Flange P Plaster Flange G T-Bar 15/16"	VOLTAGE U 120V-277V 120 120V 277 277V 347 347V	SYM/ASYM Blank Symmetric A Asymmetric Louver	ROW PATTERN Blank Straight P Pattern (specify) Pattern layouts require factory approval drawings.	DOWNLIGHT SHIELDING OA Opal Acrylic Lens WCB White Cross Baffle MA Matte Anodized Low Iridescent Semi-Specular Aluminum Louver (24 Cell) M4R 95% Reflective Specular Aluminum Louver (24 Cell) HEP High Efficiency Parabolic Specular Louver (15 Cell)	BALLAST E Electronic, Instant Start (Std. for T8) EP Electronic, Programmed Start (Std. for T5 & T5HO, optional for T8) ED Electronic, Dimming (Must Specify) ³ ESD Electronic, Step Dimming (Contact factory) ³	OPTIONS LR Left/Right Switching EL One Emergency Battery Pack Per Row ^{3,4,6} EMC One Emergency Circuit ^{3,4,5,6} NLC Night Light Circuit ^{3,4,5,6} GLR Fast Blow Fuse GMF Slow Blow Fuse TBAR T-Bar Mounting CSA UL listed or CSA certified for Canada WIH wiHUBB Enabled ⁴

¹ Rows over 8' will be configured by Alera. Example: 16' will be (2) 8'.
² For alternate configurations, contact factory.
³ T5/T5HO lamps may cause visible socket shadow in downlight component.
⁴ Specify dedicated voltage.
⁵ Not available with all configurations; some limitations apply. Contact factory for details.
⁶ One extra feed drop per row with through wiring. (Standard is one 4ft lamp per circuit.)
⁷ For additional, specify quantity before nomenclature (Example: 2EL120).

CROSS SECTIONS



Name:	MR-1T5-F-HEP-EP
Test #:	15156
Efficiency:	85.5%
LER:	70

Definitions on page 182.