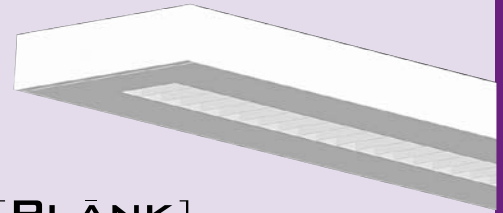


### FEATURES

- Close-to-ceiling mounting 12" to bottom of housing
- Wide optical spread when mounted more than 12"
- Performance driven light delivery system creates smooth ceiling gradients with wide fixture spacings
- T8 two-lamp cross sections allow use of industry standard, energy efficient, low cost lamps and ballasts with excellent performance
- T5 or T5HO one-lamp cross section harnesses emergent technology for unparalleled performance metrics
- Optional perforated housing allows perforated, slotted, or patterned strips on either side of shielding for added visual interest
- Heavy 20-gauge construction provides excellent housing rigidity; patented die cast aluminum joiners ensure excellent row integrity (Patent# 6,796,676B2)
- UL listed 1598. Damp Label available on most models



[ **PLANK** ]  
PLUS LISO

BEAMS

### ORDERING INFORMATION

PPLS		-	-	-	-	CM	-	-	-	-	-	-	-	-	-
MODEL	LAMP TYPE & PROFILE	MOUNTING METHOD	SHIELDING	VOLTAGE	FINISH	OPTIONS	ROW LENGTH	HOUSING TYPE	ADJUSTABLE CABLE LENGTH	BALLAST					
PPLS Plank Plus Liso	<b>1T5</b> 1 T5 Lamp <b>1T5HO</b> 1 T5HO Lamp <b>2T8</b> 2 T8 Lamps	<b>CM</b> Adjustable Aircraft Cable Mount (Std.)	<b>WCB</b> White Cross Baffle <sup>1</sup> <b>RPF</b> Regressed Perforated <b>FPF</b> Flat Perforated <b>OA</b> Opal Acrylic Lens	<b>U</b> 120V-277V <b>120</b> 120V <b>277</b> 277V <b>347</b> 347V	<b>MW</b> Matte White (Std.) <b>ZT</b> ZET Metallic Silver See page 185 for other color selections.	<b>LR</b> Left/Right Switching (2-Lamp only) <b>EL</b> One Emergency Battery Pack <sup>2,3</sup> <b>EMC</b> One Emergency Circuit <sup>3,4</sup> <b>NL</b> Night Light Circuit <sup>3,4</sup> <b>GLR</b> Fast Blow Fuse <b>GMF</b> Slow Blow Fuse <b>TBAR</b> T-Bar Mounting <b>CSA</b> UL listed or CSA certified for Canada <b>DL</b> Damp Label (Available on most models)	<b>4</b> 4' Single <b>8</b> 8' Single <b>12</b> 12' Single — Indicate row length over 12' in 4' increments <b>Note:</b> Rows over 12' will be configured by Alera. Example: 16' will be (2) 8'. Alternate configurations: contact factory.	<b>Blank</b> Solid (Std.) <b>PFST</b> Perforated Strip <b>HSLT</b> Horizontal Slot Strip <b>VSLT</b> Vertical Slot Strip	<b>12</b> 12" (Std.) <b>18</b> 18" <b>24</b> 24" <b>48</b> 48" Other lengths available on request.	<b>E</b> Electronic, Instant Start (Std. for T8) <b>EP</b> Electronic, Programmed Start (Std. for T5 & T5HO, optional for T8) <b>ED</b> Electronic, Dimming (Must specify) <b>ESD</b> Electronic, Step Dimming Unless specified, Alera will use fewest ballasts possible.					

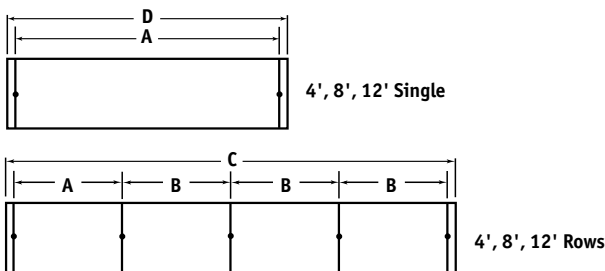
<sup>1</sup>Includes .020 thick white overlay.

<sup>2</sup>Specify voltage. For additional, specify quantity before nomenclature (Example: 2EL120).

<sup>3</sup>Not available with all configurations; some limitations apply. Contact factory for details.

<sup>4</sup>One extra feed drop per row with through wiring. (Standard is one 4ft lamp per circuit.)

### MOUNTING INFORMATION

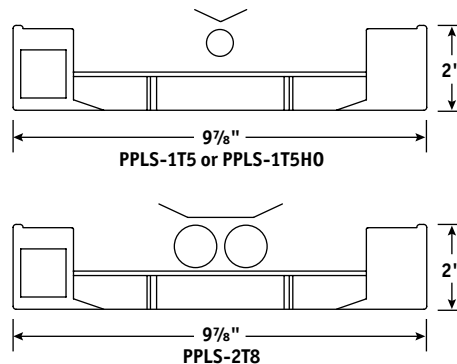


### DATA CHART

NOMINAL LENGTH	APPROX. WEIGHT		A	B	C	D
	1-LAMP	2-LAMP				
4'	17 lbs.	17 lbs.	47¼"	48"	192⅝"	48⅝"
8'	28 lbs.	28 lbs.	95¼"	96"	384⅝"	96⅝"
12'	40 lbs.	40 lbs.	143¼"	144"	576⅝"	144⅝"

Note: Suspension data is computed using the standard aircraft cable assembly. The use of rigid stems will yield different data. Please consult factory for stem data. Calculations include standard flat end caps.

### CROSS SECTIONS



<b>Name:</b>	PPLS-1T5HO-PERF-WCB-E
<b>Test #:</b>	14148
<b>Efficiency:</b>	92.6%
<b>LER:</b>	66

Definitions on page 184.

