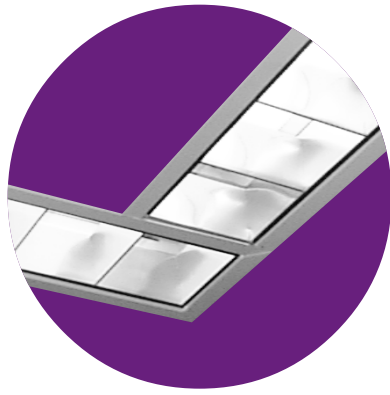


# L6



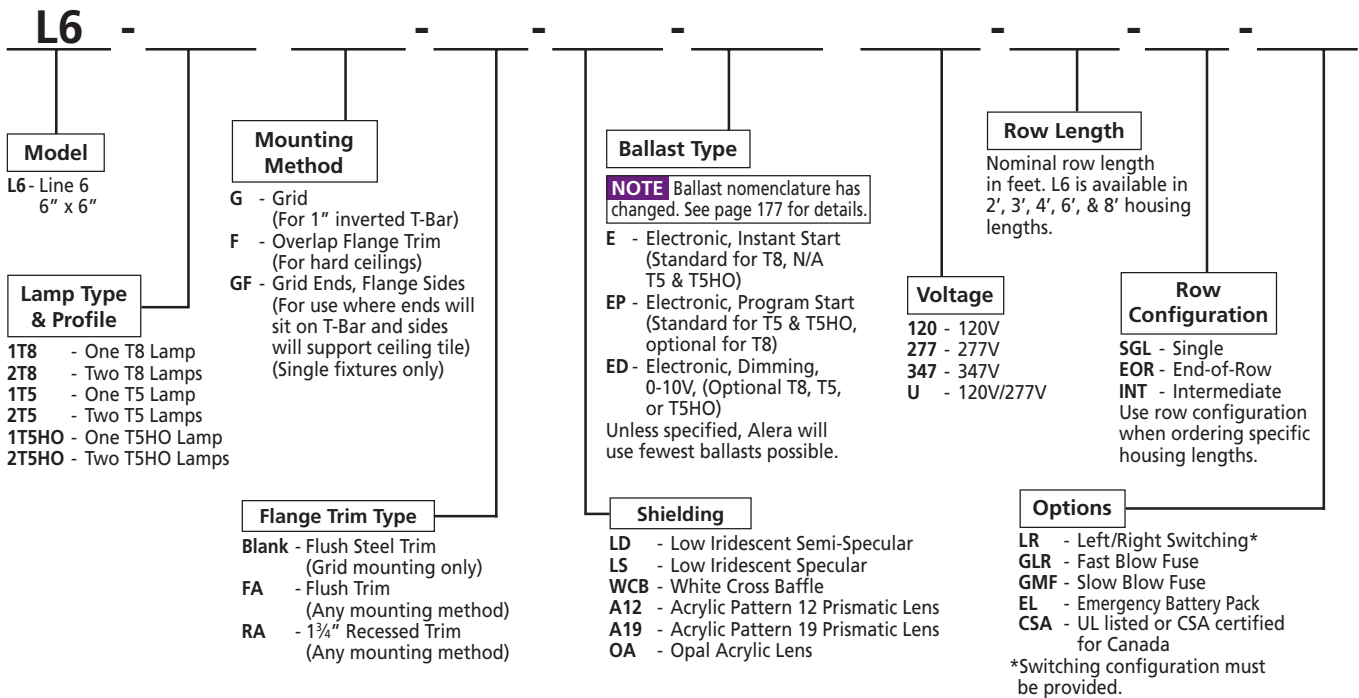
Shown with custom corner connection

## Line 6

### Features

- 6" aperture suits a variety of applications
- Continuous louver provides a sleek, unbroken appearance
- Available with flush or recessed trim
- One or two-lamp cross sections
- Shielding options include parabolic louver, cross baffle, or lens
- UL listed 1598
- Damp label available on most models

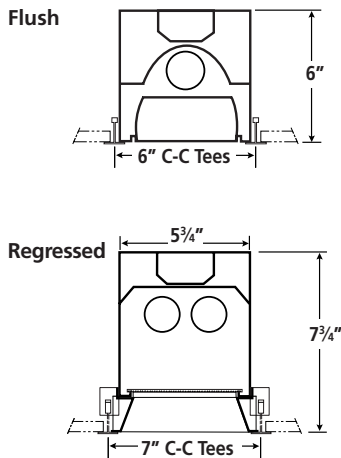
### Ordering Information Example: L6-2T8G-LD-EU-4SGL-LR



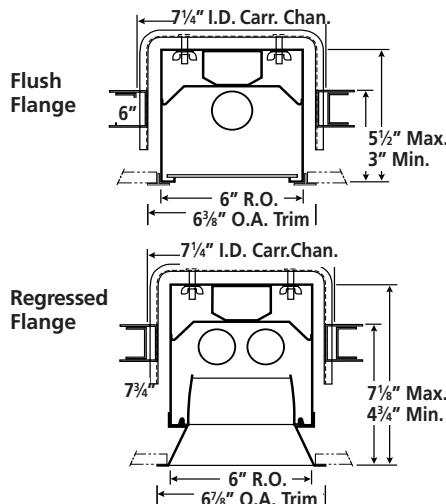
RECESSED

### Cross Sections

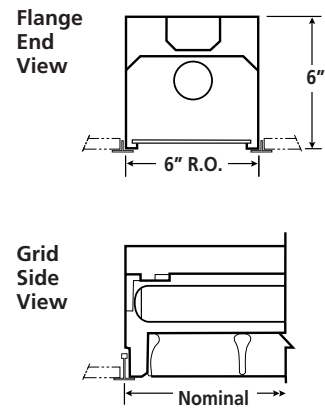
**Type G** Lay-in exposed grid. Fits standard 1" wide, 1 1/2" tall tee.



**Type F** For hard ceiling applications. Yoke hangers are shipped separately. Carrier channel by others.



**Type GF** Fixtures mount on standard exposed tees at end of fixture and support tile at sides. Fits standard 1" wide, 1 1/2" tall tee.



Subject to change without notice.