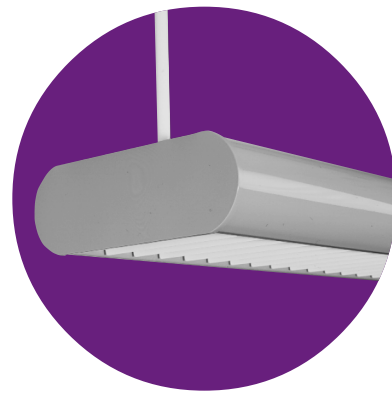


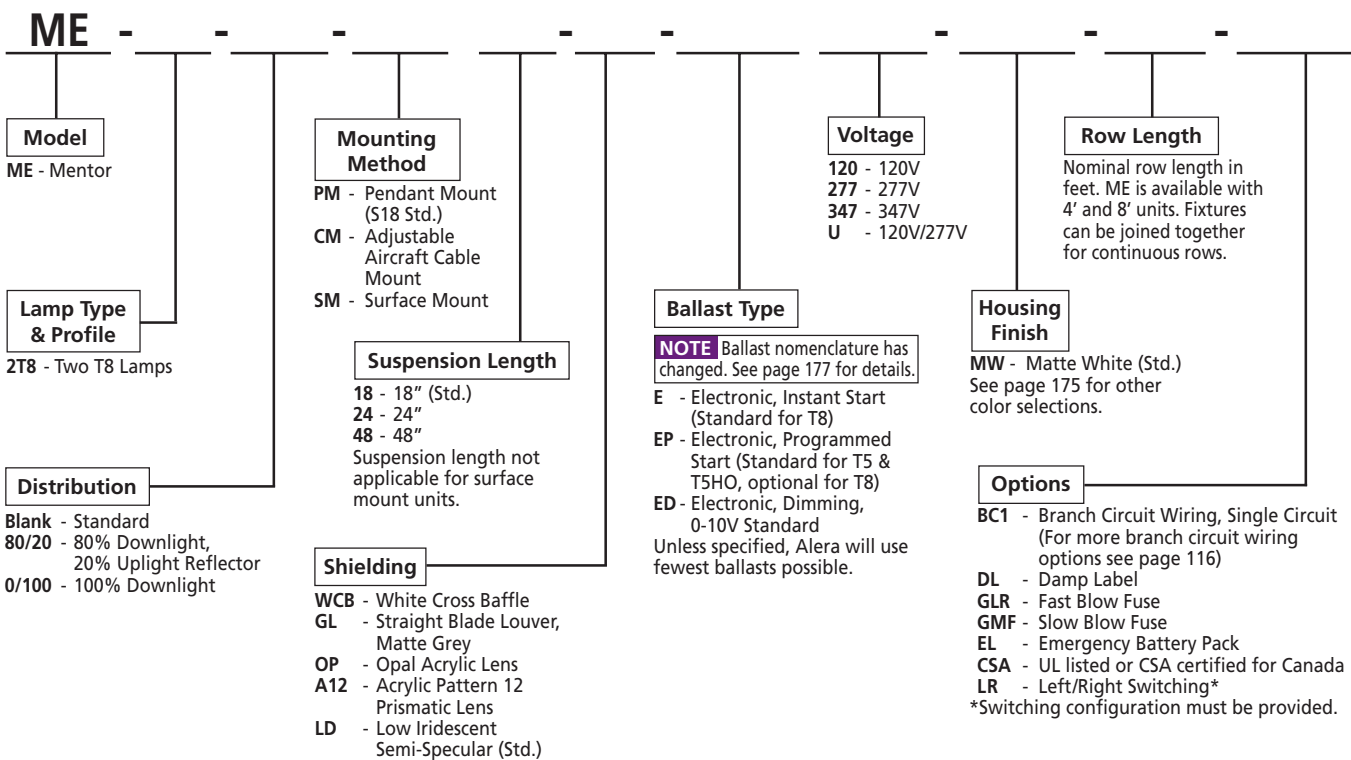
Mentor

Features

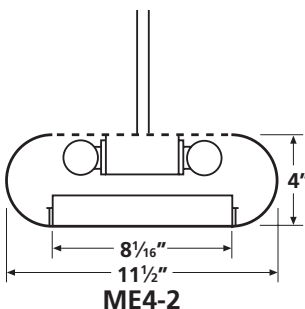
- Ideal for classrooms, retail environments, or any application requiring an economical yet high performance direct/indirect fixture
- Shielding is available with either a straight blade baffle, a parabolic louver, or lens
- Available in 4' or 8' lengths
- Standard finish is powder coat white. Other optional color finishes are available
- End caps attach with no visible fasteners
- UL listed 1598
- Damp label available



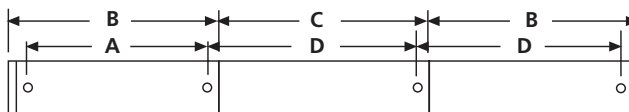
Ordering Information Example: ME-2T8-PM18-SBL-EU-MW-8



Cross Sections



Mounting Information



Data Chart

Nominal Length	Weight	A	B	C	D
4'	16 lbs.	43"	48 1/8"	48"	48"
8'	32 lbs.	91"	96 1/8"	96"	96"

Note: "B" dimensions include (1) 1/8" thick end cap.