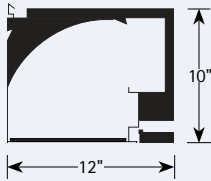




### FEATURES

- Adjustable perimeter light source provides excellent wall washing from a concealed source
- Housing and electrical system are field adjustable for excellent flexibility
- T8 Lamps are staggered to provide a continuous light source
- T5(HO) available – contact factory
- Choice of seven shielding options
- Parabolic louver is fanned around corners for a continuous look
- UL listed 1598. Damp label available

### SHAPE AND DIMENSIONS



### PROJECT INFORMATION

Project Name	Type
Catalog No.	Date

### DESCRIPTION

Accent Light system provides an easy and flexible means of fluorescent wall wash illumination that is capable of being adjusted to fit actual job-site conditions. Row lengths and corners have the flexibility that make custom factory fabrication components unnecessary. (CSA approval available. Use suffix "CSA").

### CONSTRUCTION

Accent Light offers a variety of lighting diffusers which will fit most suspended ceilings. Low brightness parabolic baffles are cantilevered from the ceiling side, approximately 3/4" off the wall. This minimizes wall irregularities and shadows. Unique "fan" corners provide some flexibility for non-perpendicular corners. Snap in electrical components and pre-wired quick connect plugs simplify installation.

### ORDERING INFORMATION

Use ordering guide and Row Length Selector Guide AL RLSGPL 1 for 1-Light or AL RLSGPL 2 for 2-Light) to custom design your job with the standard components of Accent Light.

### FINISH

Painted parts are treated with a five-stage phosphate bonding process and finished with a high temperature baked enamel after fabrication.

### LABELS AND ELECTRICAL

All fixtures bear UL recessed fixture label. CSA approval available. Use suffix "CSA".

<b>Name:</b>	AL-2T8-RNA
<b>Test #:</b>	10422
<b>Efficiency:</b>	55%
<b>LER:</b>	59

### ORDERING INFORMATION

### EXAMPLE: AL-2T8P-RLD-EU-S-900C

MODEL	NO. OF LAMPS IN CROSS SECTION	REFLECTOR	VOLTAGE	AIR FUNCTION	CATALOG CODE NO.
AL Accent Light	<b>1T8</b> One T8 Lamp Staggered <b>2T8</b> Two T8 Lamp Staggered	<b>R</b> With Gloss White Reflector (Not available with 4" regress) <b>N</b> No Reflector	<b>U</b> 120V-277V <b>120</b> 120V <b>277</b> 277V <b>347</b> 347V	<b>S</b> Static <b>E</b> Extract	<b>00.00</b> Row Length Code <sup>1</sup> <b>900C</b> 90° Outside Corner <b>901C</b> 90° Inside Corner <b>1350C</b> 135° Outside Corner <b>1351C</b> 135° Inside Corner
SHIELDING PLACEMENT		SHIELDING	BALLAST	OPTIONS	
Blank	No Shielding	LC Lamp Concealer	E Electronic, Instant Start, (Std. for T8)	UB	Upper Lower Switching
P	2 1/32" Regress (Parabolic louver only)	LD Low Iridescent Semi-Specular Louver	EP Electronic, Programmed Start (Std. for T5 & T5HO, optional for T8)	EL	One Emergency Battery Pack <sup>2,3</sup>
R1	1" Regress (Lens or WCB)	LS Low Iridescent Specular Louver	ED Electronic, Dimming (Must specify)	GLR	Fast Blow Fuse
R4	4" Regress (Lens only)	WCB White Cross Baffle	ESD Electronic, Step Dimming	GMF	Slow Blow Fuse
FC	Flush to Ceiling (Lens or WCB)	A12 Acrylic Pattern 12 Prismatic Lens	Unless specified, Alera will use fewest ballasts possible.	CSA	UL listed or CSA certified for Canada
		OP Opal Lens		DL	Damp Label
		NA Open, No Shielding			

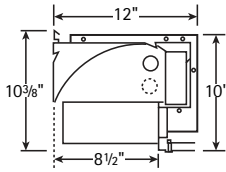
Contact Factory for T5(HO)

<sup>1</sup> Specify row length. Example: 30' 8" row would be 30.08. Dimension should be "wall to wall" dimension. Corners are static.

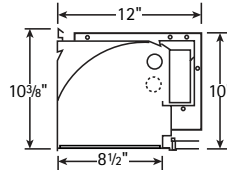
<sup>2</sup> Specify voltage. For additional, specify quantity before nomenclature (Example: 2EL120).

<sup>3</sup> Not available with all configurations; some limitations apply. Contact factory for details.

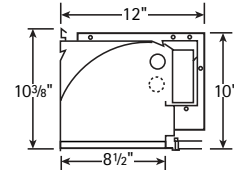
## CROSS SECTION



2<sup>1</sup>/<sub>32</sub>" Regress, Reflector, Parabolic Louver



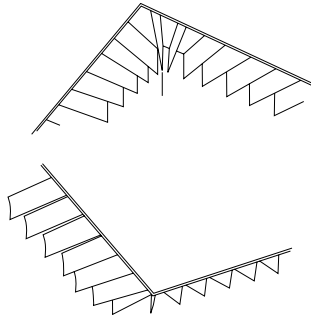
Flush, Reflector, Lens



Flush, Reflector, Straight Blade Louver

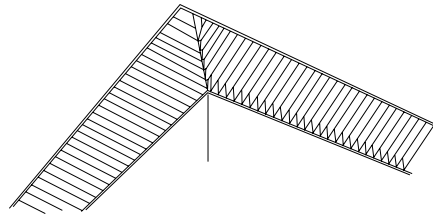
## DESIGN FEATURES

### PARABOLIC CORNERS



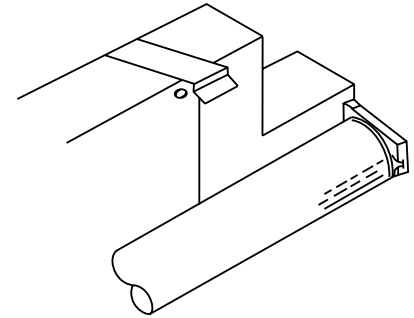
Accent Lighting system features unique corner baffles which "fan" around outside or inside corners, following the wall line. Baffled corners are one-piece and include some flexibility for irregularities.

### LOUVER CORNER



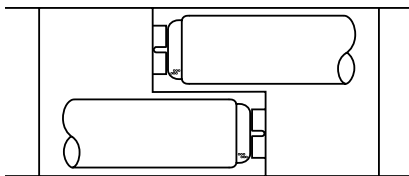
Straight blade louvers have a 45° mitered corner. Louvers and lenses are shipped in 4" lengths. Straight end is field measured and cut to required wall length.

### SNAP-IN LIGHTING UNITS



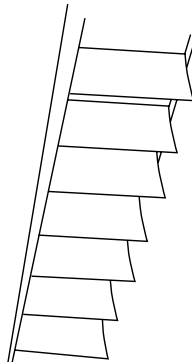
Individual lighting fixtures are equipped with metal mounting clips that fix the unit quickly and firmly in place within the housing and without the use of tools.

### OVERLAP LAMPS



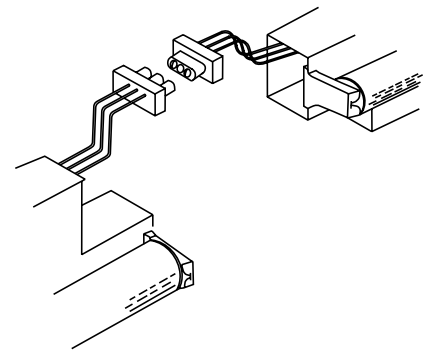
Lamps overlap 3" to eliminate shadows on wall caused by socket, lamp ends and lamp darkening. Shields are provided with adjustable units to prevent bright spots in long overlap areas.

### PARABOLIC CANTILEVER BAFFLE



All parabolic baffles in Accent Light are cantilevered from ceiling side of the system to give illumination on wall. Space allows light to "wash out" uneven surfaces in wall construction. Baffles are of sturdy construction to assure continuity and alignment.

### QUICK CONNECT PLUGS



In-row wiring is quickly accomplished with polarized quick connect plugs. In-row connector cover plate is pre-punched for sockets and requires only two screws per connection.