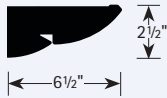


Ascend

FEATURES

- f Low profile 2-1/2" housing for a sleek modern appearance
- f Indirect Luminaire
- f Available with T8, T5, or T5HO lamps
- f Heavy 20-gauge steel construction provides excellent housing rigidity
- f Controls compatible
- f Two unique glow strips below each lamp provide a subtle light highlight on bottom of fixture housing
- f Color filters are available to enhance innovative glow strip
- f Unique die cast aluminum, tongue and groove couplers provide zero tolerance alignment between fixtures and ensure consistently straight rows

SHAPE AND DIMENSIONS



PROJECT INFORMATION

Project Name	Type
Catalog No.	Date

CONSTRUCTION

- Available with two lamps in T8, T5, or T5HO
- Perforated, slotted, or solid wings
- Perforated sections include a hole pattern that measures .0625" in diameter, provides a 23% opening per square inch and has a white acrylic diffuser overlay.
- Horizontal Slots (HSLT) run along the length of the wing in six rows of .094 x 1.000 round openings. Both allow for a 65% opening per square inch.
- The housing is designed to wrap around the inner die cast plate and secures on top with concealed screws to ensure fixtures are constant.
- Tongue and groove alignment guarantees excellent fit between fixtures.
- Reflector is made from high reflectance specular material.
- Glow strips contain white acrylic diffuser.
- Colored glow strips have ScreenArt™ applied to diffuser.

FINISH

The housing and all painted parts are treated with a multi-stage phosphate bonding process. Parts are then finished with a white powder coat finish for maximum consistent coverage and longevity.

MOUNTING

Ascend's contractor friendly universal mounting system allows for installation into existing studs and spaces the fixture away from the wall 3/8" to allow for wall variations. Brackets on the back of the luminaire easily slip onto the mounting system. Leveling screws are the final touch for that perfect installation. A 7/8" opening is provided in the unit to feed from junction box. A cover plate is used to shield the exposed junction box.

LABELS AND ELECTRICAL

- UL 1598 or CSA
- Prewired w/ T8, T5, or T5HO electronic ballasts
- Quick connect plugs standard
- Damp label available on most models

Name:	ASC-2T8-S-CM-E
Test #:	13210
Efficiency:	69.5%
LER:	60

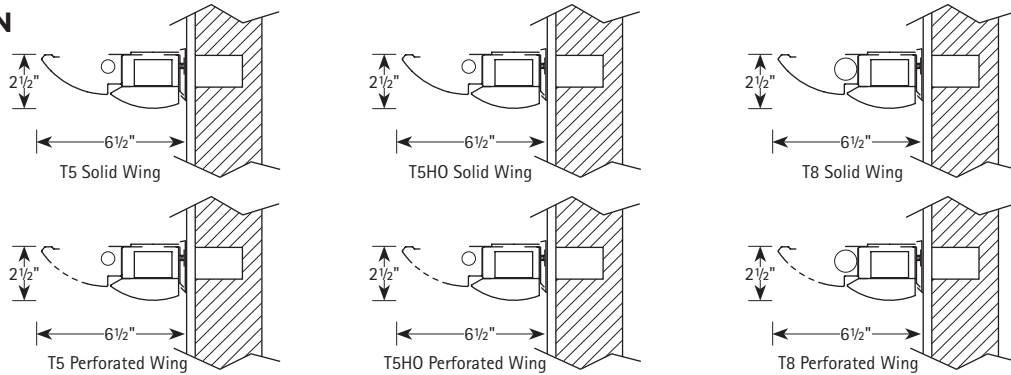
ORDERING INFORMATION

EXAMPLE: ASC-24-1T8-PERF-WM-EU-MW

ASC			WM		MW			
MODEL	LAMP TYPE AND PROFILE	MOUNTING	VOLTAGE	OPTIONS	ROW LENGTH	WING TYPE	BALLAST	FINISH
ASC Ascend	1T5 One T5 Lamp 1T5HO One T5 Lamp 1T8 One T8 Lamp	WM Wall Mount	U 120V-277V 120 120V 277 277V 347 347V Unless specified, Alera will use fewest ballasts possible.	GSVAR Variegated Glow Strip GSRED Red Glow Strip GSBLU Blue Glow Strip GSVLT Violet Glow Strip GSGRN Green Glow Strip GS_ Glow Strip (Custom color to be designated) SCE Sculpted End Cap LR Left/Right Switching (2-Lamp only) EL One Emergency Battery Pack ^{1,2} EMC One Emergency Circuit ^{2,3} NL Night Light Circuit ^{2,3} GLR Fast Blow Fuse GMF Slow Blow Fuse CSA UL listed or CSA certified for Canada	4 4' Single 8 8' Single – Indicate row length over 8' in 4' increments	PERF Perforated S Solid HSLT Horizontal Slot VSLT Vertical Slot	E Electronic, Instant Start, (Std. for T8) EP Electronic, Programmed Start (Std. for T5 and T5HO, optional for T8) Unless specified, Alera will use fewest ballast possible.	MW Matte White (Std.)

¹ Specify voltage. For additional, specify quantity before nomenclature (Example: 2EL120).
² Not available with all configurations; some limitations apply. Contact factory for details.
³ One extra feed drop per row through wiring. (Standard is one 4ft lamp per circuit.)

CROSS SECTION



PHOTOMETRIC DATA

LUMINAIRE DATA Test 13219

Luminaire	ASC-1T5HO-PERF-WM-EB5
	Ascend Architectural Curve
	6" x 48" 1-LAMP WITH W16 PAF STRIP IN BACK OF LAMP
Ballast	ICN2S54
Ballast Factor	1.00
Lamp	F54T5
Lumens per Lamp	4400
Watts	63
Mounting	Wall
Shielding Angle	0° = 90 90° = 90
Spacing Criterion	0° = N/A 90° = N/A
Luminous Opening in Feet	Length: 3.97 Width: 0.17 Height: 0.00

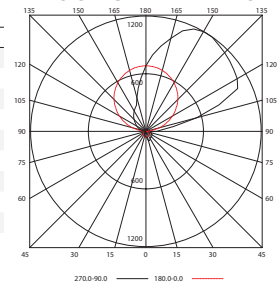
AVG. LUMINANCE (Candela/Sq. M.)

Angle	90.0	135.0	180.0	225.0	270.0
0	909	909	909	909	909
30	1602	1768	902	626	516
40	1686	1582	874	500	416
45	1804	1556	857	429	383
50	1935	1613	819	397	323
55	2113	1696	779	334	278
60	2329	1786	734	287	223
65	2604	1962	679	226	189
70	2938	2145	560	187	187
75	3389	2465	493	185	123
80	4409	3031	459	184	184
85	7320	4575	549	366	183

COEFFICIENTS OF UTILIZATION (%)

RC	80					70					50					0
	RW	70	50	30	10	70	50	30	10	50	30	10	0			
1	59	56	54	51	51	49	47	45	35	33	32	4				
2	54	49	45	42	46	42	39	37	30	28	27	3				
3	49	43	38	35	42	37	33	30	27	24	22	3				
4	44	38	33	29	38	33	29	26	23	21	19	2				
5	41	33	28	25	35	29	25	22	21	18	16	2				
6	37	30	25	21	32	26	22	19	19	16	14	2				
7	34	27	22	18	30	23	19	16	17	14	12	1				
8	32	24	19	16	27	21	17	14	15	12	10	1				
9	29	22	17	14	25	19	15	12	14	11	9	1				
10	27	20	15	12	23	17	13	11	12	10	8	1				

INDOOR CANDELA PLOT



RCR = Room Cavity Ratio
RC = Effective Ceiling Cavity Reflectance RW = Wall Reflectance

ZONAL LUMEN SUMMARY

Zone	Lumens	% Lamp	% Fixt.
0-30	52	1.2	1.8
0-40	87	2.0	2.9
0-60	156	3.6	5.3
0-90	227	5.2	7.7
90-120	815	18.5	27.7
90-130	1288	29.3	43.7
90-150	2151	48.9	73.1
90-180	2717	61.8	92.3
0-180	2944	66.9	100.0

ENERGY DATA

Total Luminaire Efficiency	66.9%
Luminaire Efficacy Rating (LER)	47
ANSI/IESNA RP-1-2004 Compliance	Yes-VDT Normal Use
Comparative Yearly Lighting Energy Cost per 1000 Lumens	\$5.11 based on 3000 hrs. and \$0.08 per KWH

Test Date 10/21/02

PHOTOMETRIC DATA

LUMINAIRE DATA Test 13270

Luminaire	ASC-1T5HO-S-WM-EB5
	Ascend Architectural Curve
	6" x 48" 1-LAMP WITH W16 PAF STRIP BEHIND LAMP.
Ballast	ICN2S54
Ballast Factor	1.00
Lamp	F54T5
Lumens per Lamp	4400
Watts	64
Mounting	Wall
Shielding Angle	0° = 90 90° = 90
Spacing Criterion	0° = N/A 90° = N/A
Luminous Opening in Feet	Length: 3.97 Width: 0.17 Height: 0.00

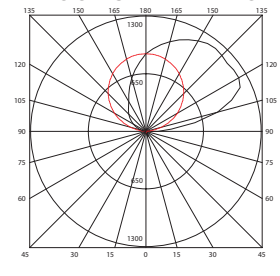
AVG. LUMINANCE (Candela/Sq. M.)

Angle	90.0	135.0	180.0	225.0	270.0
0	223	223	223	223	223
30	884	1087	221	129	110
40	562	854	229	104	125
45	541	654	226	113	158
50	571	571	223	124	174
55	667	556	222	167	167
60	766	606	223	191	159
65	943	755	226	189	189
70	1073	933	233	187	187
75	1232	1109	246	185	185
80	1653	1378	276	276	184
85	2928	2379	183	366	366

COEFFICIENTS OF UTILIZATION (%)

RC	80					70					50					0
	RW	70	50	30	10	70	50	30	10	50	30	10	0			
1	65	62	60	57	56	54	51	49	37	36	35	2				
2	60	54	50	47	51	47	43	40	33	30	29	1				
3	54	48	43	39	46	41	37	34	29	26	24	1				
4	49	42	36	32	42	36	32	28	25	22	20	1				
5	45	37	31	27	39	32	27	24	22	19	17	1				
6	41	33	27	23	35	29	24	20	20	17	15	1				
7	38	30	24	20	33	26	21	18	18	15	13	1				
8	35	27	21	17	30	23	18	15	16	13	11	0				
9	32	24	19	15	28	21	16	13	15	12	10	0				
10	30	22	17	13	26	19	15	12	13	10	8	0				

INDOOR CANDELA PLOT



RCR = Room Cavity Ratio
RC = Effective Ceiling Cavity Reflectance RW = Wall Reflectance

ZONAL LUMEN SUMMARY

Zone	Lumens	% Lamp	% Fixt.
0-30	18	0.4	0.6
0-40	33	0.7	1.0
0-60	59	1.3	1.8
0-90	100	2.3	3.0
90-120	1019	23.2	30.8
90-130	1548	35.2	46.8
90-150	2523	57.3	76.3
90-180	3209	72.9	97.0
0-180	3308	75.2	100.0

ENERGY DATA

Total Luminaire Efficiency	75.2%
Luminaire Efficacy Rating (LER)	52
ANSI/IESNA RP-1-2004 Compliance	Yes-VDT Normal Use
Comparative Yearly Lighting Energy Cost per 1000 Lumens	\$4.62 based on 3000 hrs. and \$0.08 per KWH

Test Date 12/9/02

PHOTOMETRIC DATA

LUMINAIRE DATA Test 13271

Luminaire	ASC-1T8-S-WM-EB8
	Ascend Architectural Curve
	6" x 48" 1-LAMP WITH W16 PAF STRIP BEHIND LAMP
Ballast	REL1P32SC
Ballast Factor	0.92
Lamp	F32T8
Lumens per Lamp	2900
Watts	32
Mounting	Wall
Shielding Angle	0° = 90 90° = 90
Spacing Criterion	0° = N/A 90° = N/A
Luminous Opening in Feet	Length: 3.97 Width: 0.17 Height: 0.00

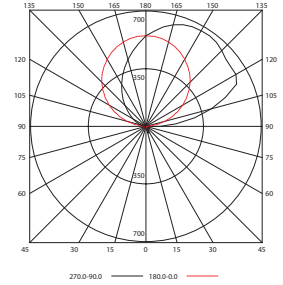
AVG. LUMINANCE (Candela/Sq. M.)

	0.0	22.5	45.0	67.5	90.0
0	175	175	175	175	175
30	626	773	166	110	74
40	396	583	167	83	83
45	383	451	180	90	90
50	397	397	174	99	99
55	473	389	167	111	111
60	542	447	191	128	96
65	679	528	189	113	113
70	746	653	187	140	140
75	924	801	185	185	123
80	1194	1010	184	184	184
85	2013	1647	366	366	366

COEFFICIENTS OF UTILIZATION (%)

RC	80				70				50				0
	RW	70	50	30	10	70	50	30	10	50	30	10	0
1	58	56	53	51	50	48	46	44	33	32	31	2	
2	53	49	45	41	45	42	39	36	29	27	26	1	
3	48	43	38	34	41	37	33	30	26	23	21	1	
4	44	37	33	29	38	32	28	25	23	20	18	1	
5	40	33	28	24	34	29	24	21	20	17	15	1	
6	37	29	24	21	32	25	21	18	18	15	13	1	
7	34	26	21	18	29	23	19	16	16	13	11	1	
8	31	24	19	16	27	21	16	14	14	12	10	1	
9	29	21	17	14	25	19	15	12	13	10	9	0	
10	27	19	15	12	23	17	13	10	12	9	8	0	

INDOOR CANDELA PLOT



RCR = Room Cavity Ratio

RC = Effective Ceiling Cavity Reflectance RW = Wall Reflectance

ZONAL LUMEN SUMMARY

Zone	Lumens	% Lamp	% Fixt.
0-30	14	0.5	0.7
0-40	24	0.8	1.2
0-60	43	1.5	2.2
0-90	72	2.5	3.7
90-120	548	18.9	28.2
90-130	847	29.2	43.6
90-150	1439	49.6	74.0
90-180	1872	64.6	96.3
0-180	1944	67.0	100.0

ENERGY DATA

Total Luminaire Efficiency	67.0%
Luminaire Efficacy Rating (LER)	56
ANSI/IESNA RP-1-2004 Compliance	
Comparative Yearly Lighting Energy Cost per 1000 Lumens	\$4.29 based on 3000 hrs. and \$0.08 per KWH

Test Date 12/5/02