

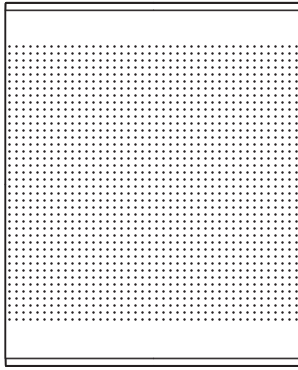


DIRECT/INDIRECT

Jasmine

WALL SCONCE

TYPE



Project: _____

Location: _____

CONSTRUCTION

Electrical component consists of an 18-gauge cold rolled steel housing suitable for wall mounting with a universal mounting bracket. 9 1/2" x 11" fascia is attached to housing using a 1/4-20 bolt and coupling system. Lens retention mechanism prevents light leaks. Jasmine fascia is constructed of 20-gauge cold-rolled steel using state-of-the-art technology and features patented die-cast aluminum inner end caps (patent number 6,796,676 B2).

FINISH

All painted parts are treated with a multi-stage phosphate bonding process. Housing receives a gloss white powder coat finish and the fascia has a matte white powder coat finish for maximum consistent coverage and longevity. RAL or custom colors available on request.

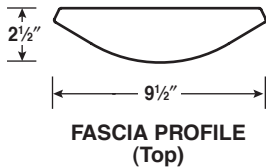
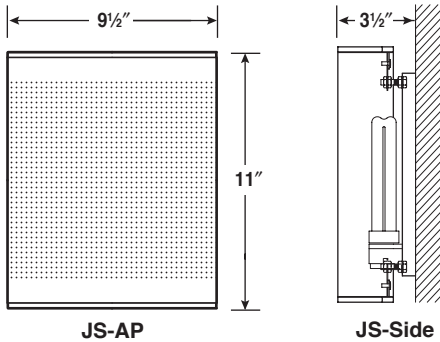
MOUNTING

A universal mounting bracket is provided and should be attached to the junction box. Two bolts allow the fixture housing to slide onto the mounting bracket using keyhole slots on the housing. The bolts can be tightened to ensure a snug fit to the wall.

LABELS AND ELECTRICAL

Fixture has been evaluated and approved by E.T.L. and conforms to UL 1598 specifications. Fixture should only be used in dry locations. Fixtures are pre-wired with an electronic universal voltage (120/277) ballast. Product meets the specifications of the American with Disabilities Act.

CROSS SECTIONS



Dimensions and specifications subject to change without notice.

ORDERING INFORMATION

Model

JS - Jasmine

Lamp Type & Profile

- 1CFQ13 - (1) 13W Quad Tube CF (G24Q-1 Base)
- 1CFQ18 - (1) 18W Quad Tube CF (G24Q-2 Base)
- 1CFQ26 - (1) 26W Quad Tube CF (G24Q-3 Base)
- 2CFQ13 - (2) 13W Quad Tube CF (G24Q-1 Base)
- 2CFQ18 - (2) 18W Quad Tube CF (G24Q-2 Base)
- 2CFQ26 - (2) 26W Quad Tube CF (G24Q-3 Base)

Consult factory for other available lamps.

Mounting Method

WS - Wall Sconce

Shielding

- PERF - Perforated Fascia
- SLOT A - Slot Pattern to Match Alera Suspended Vertical Slot
- SLOT B - Slot Pattern to Match Alera Suspended Horizontal Slot
- AP - All Perforated Fascia

Voltage

U - 120V-277V

Ballast Type

E - Electronic, Instant Start
Unless specified, Alera will use fewest ballasts possible.

Housing Finish

MW - Matte White (Std.)
See MTX-1 for other color selections.

Options

- FCFQ13 - Factory Installed 13W Quad Tube CF
- FCFQ18 - Factory Installed 18W Quad Tube CF
- FCFQ26 - Factory Installed 26W Quad Tube CF
- Lens Color - Specify Desired Color (Standard color is white and need not be designated)
- CSA - UL listed or CSA certified for Canada

AL 10/07



Hubbell Lighting, Inc.

Subject to change without notice.

701 Millennium Blvd
Greenville SC 29607 • (864) 678-1000
www.aleralighting.com
We are architectural fluorescent lighting



ALERA
LIGHTING

5-2

