

PROJECT INFORMATION

Project Name	Type
Catalog No.	Date

CONSTRUCTION

Extruded aluminum housing includes typical recycled content of 25-30%.

END CAPS

Die cast flat end caps for standard lamp configuration. Both end caps feature silicone gasket to eliminate light leak, see Light Seal. Ships installed on fixture.

LIGHT SEAL

Housing unions between all joints include upper formed light seal and aligner connectors to block light. End of row and single units feature unique optimized V-0 closed cell silicone gasket light seal at joints between extruded housing and die cast end cap.

CONNECTIONS

Secure, simple housing connections ensure row continuity. Standard lamp configuration features patent pending Ready Connect system for end cap connections.

MOUNTING

Microlyne® Wall Mount uses cleverly designed, ADA compliant, discreet wall brackets to create a floating appearance approximately ½" from the vertical wall surface. Brackets are made with heavy gauge galvanized steel.

REFLECTOR

High reflectance formed white reflector.

SHIELDING

Shielding is provided for single or continuous row. Asymmetric louvers appear identical to standard louvers from below the fixture.

M4R - Asymmetric 95% Reflective Specular Aluminum louver combines glare control and performance with a high tech, cubed aesthetic.

MA - Matte anodized louvers incorporate

an attractive but subtle grain pattern which minimizes the visibility of fingerprints and construction dust without sacrifice to aesthetic qualities.

HEP - High efficiency specular silver parabolic louvers maximize downlight for enhanced efficiency where maximum light output is the primary concern.

DISTRIBUTION

Asymmetric downlight louver lights vertical surfaces or walls by placing light above traditional cut-off point. Asymmetric louver appears identical to standard louver from below product for an exceptionally uniform appearance; no reflector hangs below housing into room space. Symmetric downlight distribution is standard and used for general purpose lighting where uniform distribution is desired; please see M STG WM specification sheet.

ELECTRICAL

Fixtures are pre-wired with electronic ballasts in 120V, 277V or 120V-277V (U). 347V available on some models; contact factory. Tandem and row configurations use quick-connect single or multi-circuit wiring between luminaires. Power feed locations as indicated on Technical Installation Data pages or project specific layouts. Night light, emergency circuits or factory installed battery packs must be specified as option.

FINISH

Matte White powder coat standard for end caps and housing. Zet Silver and additional colors and finishes optional.

CERTIFICATION

All fixtures bear appropriate UL or C UL US labels.

ORDERING INFORMATION

EXAMPLE: MA-20-STG-1DT5-WM-HEP-EP277-MW-GLR

M A - - STG - - WM - - - - -		MOUNTING		VOLTAGE		COLOR		LIGHT MODULE ^{2,3,5}		# LIGHT MODULES ³		
ROW LENGTH 4 4' Single 8 8' Single 12 12' Single --- Indicate row length in 4' increments. ¹		LAMP STAGGER STG Staggered		WM Wall Mount		U 120V-277V 120 120V 277 277V 347 347V		MW Matte White (Std.) ZT ZET Metallic Silver See MTX-1 for other color selections.		MR16D MR16 Downlight Module		1M One 2M Two 3M Three 4M Four
SYM / ASYM A Asymmetric Louver		ROW PATTERN Blank Straight P Pattern (specify) Pattern layouts require factory approval drawings.		DOWNLIGHT SHIELDING M4R 95% Reflective Specular Aluminum Louver (24 Cell) HEP High Efficiency Parabolic Specular Louver (15 Cell) MA Matte Anodized Low Iridescent Semi-Specular Aluminum (24 Cell)		BALLAST EP Electronic, Programmed Start (Std. for T5 & T5HO) ED Electronic, Dimming (Must Specify) ²		OPTIONS LR Left/Right Switching (2-Lamp only) EL 1 Emergency Battery Pack Per Row ^{2,3,4,5} EMC One Emergency Circuit ^{2,3,4,5} NL Night Light Circuit ^{2,3,4,5} GLR Fast Blow Fuse GMF Slow Blow Fuse CSA UL listed or CSA certified for Canada DL Damp Label (Available on most models) WIH wiHUBB Enabled ³				
MODEL M Microlyne		LAMP TYPE AND PROFILE 1DT5 One T5 Lamp 2DT5 Two T5 Lamps 1DT5HO One T5HO Lamp 2DT5HO Two T5HO Lamps										

¹ Rows over 12' will be configured by Alera. Example: 16' will be (2) 8'. For alternate configurations, contact factory.

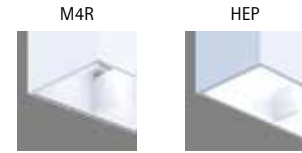
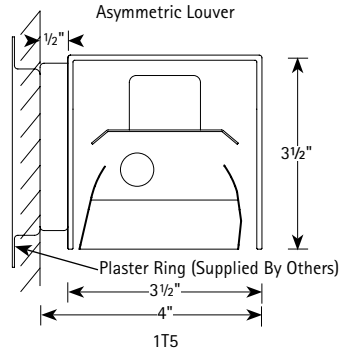
² Specify dedicated voltage.

³ Not available with all configurations; some limitations apply. Contact factory for details.

⁴ One extra feed drop per row with through wiring. (Standard is one 4ft lamp per circuit.)

⁵ For additional, specify quantity before nomenclature (Example: 2EL120, EMC277).

CROSS SECTION



PHOTOMETRIC DATA

LUMINAIRE DATA Test 14895

Luminaire	MA-1T5-HEP-EP Microlyne® Beams 3.5" x 48" 1-Lamp with 15 Cell 1WW Louver
Ballast	ICN-2S28
Ballast Factor	1.03
Lamp	F28T5
Lumens per Lamp	2600
Watts	33
Shielding Angle	0° = 19 90° = 33

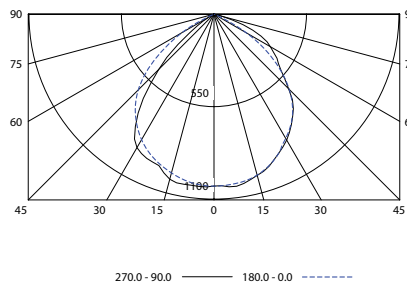
ZONAL LUMEN SUMMARY

Zone	Lumens	% Lamp	% Fixt.
0-30	807	31.0	36.0
0-40	1312	50.5	58.5
0-60	2081	80.0	92.8
0-90	2242	86.2	100.0
0-180	2242	86.2	100.0

ENERGY DATA

Total Luminaire Efficiency	86.2%
Luminaire Efficacy Rating (LER)	70
Comparative Yearly Lighting Energy Cost per 1000 Lumens	\$3.43 based on 3000 hrs. and \$0.08 per KWH

INDOOR CANDELA PLOT



CANDELA SUMMARY

Angle	90.0	135.0	180.0	225.0	270.0
0.0	1022	1022	1022	1022	1022
7.5	1032	1027	1015	1024	1026
15.0	992	998	986	1010	1016
22.5	935	942	935	961	952
30.0	864	865	863	879	916
37.5	768	770	768	780	741
45.0	627	656	631	600	464
52.5	483	501	445	351	183
60.0	387	310	216	136	36
67.5	249	165	80	25	5
75.0	53	49	1	2	0
82.5	5	2	0	0	0
90.0	0	0	0	0	0

Test Date 2/14/08

	Microlyne® Staggered			
	1T5		2T5	
	Row Length	Lamp Configuration	Row Length	Lamp Configuration
4' (Non-STG)	4'	(1) 4'	4'	(2) 4'
8'	8'	(3) 3'	8'	(4) 4'
12'	12'	(1) 2' (3) 3' (1) 4'	12'	(6) 4'
16'	16'	(4) 3' (2) 4'	16'	(8) 4'
20'	20'	(1) 2' (5) 3' (2) 4'	20'	(10) 4'
24'	24'	(6) 3' (3) 4'	24'	(12) 4'
28'	28'	(1) 2' (7) 3' (3) 4'	28'	(14) 4'
32'	32'	(8) 3' (4) 4'	32'	(16) 4'
48'	48'	(12) 3' (6) 4'	48'	(24) 4'