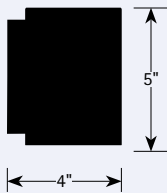




### FEATURES

- 3 1/2" x 5" rectilinear beam appears to float just off vertical surface of wall
- ADA compliant
- Uplight and Asymmetric Downlight
- Asymmetric downlight louver does not hang below fixture housing
- Symmetric downlight available; see MDI WM specification sheet
- Up/Down switching available
- T5, T5HO or T8
- Extensive aesthetic options
- Full family including cable mount, wall mount, surface mount and recessed
- Companion fixtures include the 2 1/2" x 3 1/2" Microlyne® Mini and 3 1/2" x 3 1/2" Microlyne
- Aesthetic continuity across family, shielding and options

### SHAPE AND DIMENSIONS



### PROJECT INFORMATION

Project Name	Type
Catalog No.	Date

### CONSTRUCTION

Extruded aluminum direct-indirect housing includes typical recycled content of 25-30%.

### END CAPS

Die cast flat end caps for standard lamp configuration. Staggered lamps feature extended end-of-row end caps to ensure continuous light with out obtrusively dark row ends. Both end caps feature silicone gasket to eliminate light leak, see Light Seal. Ships installed on fixture.

### LIGHT SEAL

Housing unions between all joints include upper formed light seal and aligner connectors to block light. End of row and single units feature unique optimized V-0 closed cell silicone gasket light seal at joints between extruded housing and die cast end cap.

### CONNECTIONS

Secure, simple housing connections ensure row continuity. Standard lamp configuration features patent pending Ready Connect system for end cap connections.

### MOUNTING

Microlyne® Direct-Indirect Wall Mount uses cleverly designed, ADA compliant, discreet wall brackets to create a floating appearance approximately 1/2" from the vertical wall surface. Brackets are made with heavy gauge galvanized steel.

### REFLECTOR

High reflectance formed white reflector.

### DOWNLIGHT SHIELDING

Shielding is provided for single or continuous row. Asymmetric louvers appear identical to standard louvers from below the fixture. The asymmetric louver lights vertical surfaces by providing light to areas above typical cut-off.

**M4R** - Asymmetric 95% Reflective Specular Aluminum louver combines glare control and performance with a high tech aesthetic.

**HEP** - High efficiency specular silver parabolic louvers maximize downlight for enhanced efficiency where maximum light output is the primary concern.

**MA** - Matte anodized louvers incorporate an attractive but subtle grain pattern which minimizes the visibility of fingerprints and construction dust without sacrifice to aesthetic qualities.

### UPLIGHT SHIELDING

Uplight is open and free of shielding to allow maximum efficiency.

### DISTRIBUTION

A wide range of symmetric up/asymmetric downlight distributions include combinations of uplight and downlight using one or more lamps in either the indirect or direct portion and combined with many types of downlight shielding. See ordering guide for additional options. Number of lamps in cross section will determine which options are available. Note that a wide range of symmetric downlight options can be found on MDI WM specification sheet.

### ELECTRICAL

Fixtures are pre-wired with electronic ballasts in 120V, 277V or 120V-277V (U). 347V available on some models; contact factory. Tandem and row configurations use quick-connect single or multi-circuit wiring between luminaires. Power feed locations as indicated on Technical Installation Data pages or project specific layouts. Night light, emergency circuits or factory installed battery packs must be specified as option.

### FINISH

Matte White powder coat standard for end caps and housing. Zet Silver and additional colors and finishes optional. For shielding finishes see Shielding.

### CERTIFICATION

All fixtures bear appropriate UL or C UL US labels.

### ORDERING INFORMATION

### EXAMPLE: MDIA-20-1U1DT5-WM-HEP-EPU-MW-GLR

MDI	A	-	-	-	WM	-	-	-	-	-	-	-	-
		<b>ROW LENGTH</b>	<b>ROW PATTERN</b>	<b>MOUNTING</b>				<b>VOLTAGE</b>	<b>COLOR</b>	<b>CORNER<sup>3</sup></b>			
		4 4' Single	Blank Straight	WM Wall Mount				U 120V-277V	MW Matte White (Std.)	90 90° Unlit 6"x6"			
		8 8' Single	P Pattern (specify)					120 120V	ZT ZET Metallic Silver	For lit or alternate sizes, contact factory			
		12 12' Single	Pattern layouts require factory approval drawings.					277 277V	See MTX-1 for other color selections.				
		— Indicate row length in 4' increments. <sup>1,2</sup>						347 347V					
<b>SYM / ASYM</b>	<b>ASYM</b>	<b>LAMP TYPE AND PROFILE</b>		<b>DOWNLIGHT SHIELDING</b>		<b>BALLAST</b>				<b>LIGHT MODULES<sup>5</sup></b>			
A	Asymmetric Louver	1U1DT5	1 Lamp Up, 1 Lamp Down, T5 <sup>3</sup>	M4R	95% Reflective Specular Aluminum Louver (24 Cell)	E	Electronic, Instant Start, (Std. for T8)			Contact Factory			
		1U1DT5HO	1 Lamp Up, 1 Lamp Down, T5HO <sup>3</sup>			EP	Electronic, Programmed Start (Std. for T5 & T5HO, optional for T8)						
		1U2DT5	1 Lamp Up, 2 Lamps Down, T5 <sup>3</sup>	HEP	High Efficiency Parabolic Specular Louver (15 Cell)	ED	Electronic, Dimming (Must Specify) <sup>4</sup>						
		1U2DT5HO	1 Lamp Up, 2 Lamps Down, T5HO <sup>3</sup>			ESD	Electronic, Step Dimming <sup>4</sup>						
		2U1DT5	2 Lamps Up, 1 Lamp Down, T5 <sup>3</sup>	MA	Matte Anodized Low Iridescent Semi-Specular Aluminum (24 Cell)								
		2U1DT5HO	2 Lamps Up, 1 Lamp Down, T5HO <sup>3</sup>										
		2U2DT5	2 Lamps Up, 2 Lamps Down, T5 <sup>3</sup>										
		2U2DT5HO	2 Lamps Up, 2 Lamps Down, T5HO <sup>3</sup>										
		1U1DT8	1 Lamp Up, 1 Lamp Down, T8										
<b>MODEL</b>	<b>MDI</b>									<b>OPTIONS</b>			
	Microlyne® Direct-Indirect									DC Dust Cover (N/A with T5HO)			
										LR Left/Right Switching (2-Lamp only)			
										UB Upper/Lower Switching			
										EL 1 Emergency Battery Pack Per Row <sup>4,5,7</sup>			
										EMC One Emergency Circuit <sup>4,5,6,7</sup>			
										NL Night Light Circuit <sup>4,5,6,7</sup>			
										GLR Fast Blow Fuse			
										GMF Slow Blow Fuse			
										CSA UL listed or CSA certified for Canada			
										DL Damp Label (Available on most models)			

<sup>1</sup> Rows over 12' will be configured by Alera. Example: 16' will be (2) 8'. For alternate configurations, contact factory.

<sup>2</sup> Shorter increments are available—contact factory.

<sup>3</sup> T5/T5HO lamps may cause visible socket shadow in downlight component.

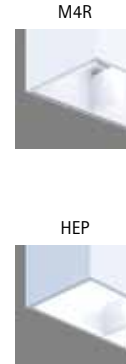
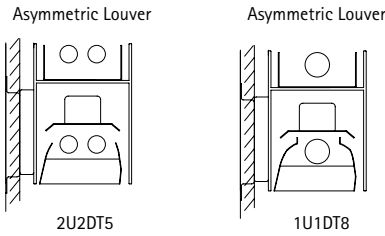
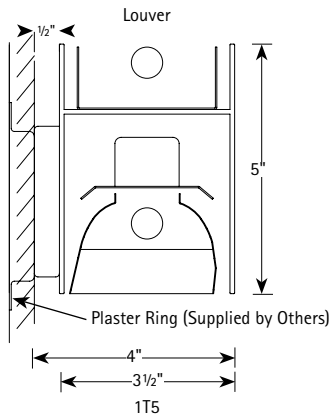
<sup>4</sup> Specify dedicated voltage.

<sup>5</sup> Not available with all configurations; some limitations apply. Contact factory for details.

<sup>6</sup> One extra feed drop per row with through wiring. (Standard is one 4ft lamp per circuit.)

<sup>7</sup> For additional, specify quantity before nomenclature (Example: 2EL120, EMC277).

## CROSS SECTION



## PHOTOMETRIC DATA

### LUMINAIRE DATA Test 14954

Luminaire	MDI-A-1T5-HEP-EP Microlyne® Beams 3.5" x 48" 2-Lamp with 1 x 15 Cell HEP Wall Wash Louver
Ballast	ICN-2S28
Ballast Factor	1.03
Lamp	F28T5
Lumens per Lamp	2600
Watts	64
Shielding Angle	0° = 19 90° = 33

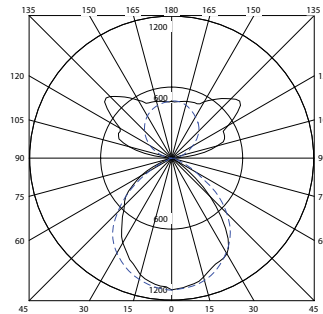
### ZONAL LUMEN SUMMARY

Zone	Lumens	% Lamp	% Fixt.
0-30	843	16.2	18.4
0-40	1354	26.0	29.6
0-60	2096	40.3	45.8
0-90	2216	42.6	48.4
90-120	790	15.2	17.3
90-130	1238	23.8	27.1
90-150	1954	37.6	42.7
90-180	2358	45.4	51.6
0-180	4575	88.0	100.0

### ENERGY DATA

Total Luminaire Efficiency	88.0%
Luminaire Efficacy Rating (LER)	74
Comparative Yearly Lighting Energy Cost per 1000 Lumens	\$3.24 based on 3000 hrs. and \$0.08 per KWH

### INDOOR CANDELA PLOT



### CANDELA SUMMARY

Angle	90.0	135.0	180.0	225.0	270.0
0.0	1113	1113	1113	1113	1113
15.0	1040	1075	1067	1056	1021
30.0	934	908	923	863	826
45.0	461	622	657	604	565
60.0	20	148	207	265	302
75.0	3	6	0	16	12
90.0	0	0	0	0	0
105.0	396	333	85	322	371
120.0	551	574	209	550	503
135.0	709	529	320	534	736
150.0	551	481	408	476	564
165.0	496	488	463	487	496
180.0	482	482	482	482	482

270.0-90.0 ——— 180.0-0.0 - - - -

Test Date 4/4/08

MICROLYNE® FAMILY QUICK REFERENCE PAGE FINDER										
	MR	MRA	MMR	MMRA	M	MA	MM	MMA	MDI	MDIA
SYMMETRIC	X		X		X		X		X	
ASYMMETRIC		X		X		X		X		X
GRID/SLOT GRID GRID FLANGE/SLOT GRID FLANGE	MRG MRSTG G	MRA G MRASTG G	MMR, MMRA G					X		
FLANGE	MRF MRSTG F	MRA F MRASTG F	MMR, MMRA F							
PLASTER	MRP MRSTG P	MRA P MRASTG P	MMR, MMRA P							
CABLE					MCM MSTG CM	MACM MASTG CM	MM, MMA CM		MDICM MDISTG CM	MDIACM MDIASTG CM
SURFACE					MSM MSTG SM	MASM MASTG SM	MM, MMA SM			
WALL					MWM MSTG WM	MAWM MASTG WM	MM, MMA WM		MDIWM MDISTG WM	MDIAWM MDIASTG WM