


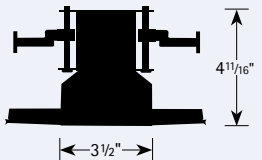
MICROLYNE



FEATURES

- A slender ribbon of recessed light in a 3 1/2" aperture
- Plaster Flange allows singles or rows to "float" in ceiling
- 1 T5 or T5HO, 1 T8
- Asymmetric louver appears identical to standard shielding from below
- Asymmetric louver does not hang below housing
- Asymmetric distribution provides gentle wall "wash" for pleasingly lit walls or surfaces
- Plaster Flange option allows fine detail feathering and corrosion resistant mud wings for a truly superior finished aesthetic
- Family includes recessed, cable, surface and wall mount in Microlyne® Mini 2 1/2" aperture and Microlyne® Direct-Indirect 3 1/2" x 5"
- Available with exclusive wiHUBB technology preinstalled (WIH option)
 - Peer to peer, self-healing wireless mesh network
 - Integrated control system for 0-10VDC or step dimming, or On/Off

SHAPE AND DIMENSIONS



PROJECT INFORMATION

Project Name	Type
Catalog No.	Date

CONSTRUCTION

Rigid steel housing includes typical recycled content of 40%.

CONNECTIONS

Secure, simple housing connections provide continuous rows where desired.

MOUNTING

Plaster Flange mounting as described in Housing and Trim section. Microlyne® Recessed is also available in Grid or T-Bar applications or Flange (F) for drywall applications where housing trim is desired to complete the finished appearance as a complementary visible framing mechanism. See separate specification sheets.

REFLECTOR

Asymmetric throw provides gentle wall "wash" to fill in traditional dark areas at ceiling line.

SHIELDING

Shielding is provided for single or continuous row. Options match across entire Microlyne® family.

M4R - 95% Reflective Specular Aluminum louver combines glare control and performance with a high tech appearance.

HEP - High efficiency parabolic specular louver maximizes downlight for enhanced efficiency where maximum light output is the primary concern.

MA - Matte anodized louvers incorporate attractive but subtle grain pattern which minimizes the visibility of fingerprints and construction dust without sacrifice to aesthetic qualities. Symmetric distribution.

Asymmetric distribution achieved provides a gentle "wash" along the wall for pleasantly lit vertical surfaces without sacrifice to aesthetics. Appearance below the ceiling plane is identical to companion fixtures. Shielding remains above the ceiling plane.

ELECTRICAL

Fixtures are pre-wired with electronic ballasts in 120V, 277V or 120-277V (U). 347V available on some models; contact factory. Power feed locations as indicated on Technical Installation Data pages or project specific layouts. Night light circuits, emergency circuits or factory installed emergency battery packs must be specified as option.

FINISH

Recessed housing and any visible flange trim is standard white.

CERTIFICATION

All fixtures bear appropriate UL or C UL US labels.

PLASTER FLANGE HOUSING & TRIM

Fine detail corrosion resistant feathering mud wings extend a full 1 1/2" on either side of the housing to allow consistent, attractive ceiling finish all the way around housing. Maximized feathering edge trims reduce plaster gaps, sags and bumps and depressions associated with inconsistent mud drying time. Wing hangers snug firmly to ceiling structure elements such as C-channel or permanent frame box (both by others) using a simple twist. Design provides ease of installation and unparalleled finished appearance.

Name:	MR-1T5-F-HEP-EP
Test #:	15156
Efficiency:	85.5%
LER:	70

DISTRIBUTION

ORDERING INFORMATION

EXAMPLE: MRA-4-1T5-P-M4R-EP-U

MR	A	-	-	-	P	-	-	-
SYM / ASYM		ROW PATTERN		LAMP TYPE AND PROFILE		DOWNLIGHT SHIELDING		VOLTAGE
A Asymmetric Louver		Blank Straight P Pattern (specify)		1T5 One T5 Lamp ² 1T5HO One T5HO Lamp ² 1T8 One T8 Lamp ²		M4R 95% Reflective Specular Aluminum Louver (24 Cell) HEP High Efficiency Parabolic Specular Louver (15 Cell) MA Matte Anodized Low Iridescent Semi-Specular Aluminum (24 Cell)		U 120V-277V 120 120V 277 277V 347 347V
MODEL		Pattern layouts require factory approval drawings.						
MR Microlyne® Recessed								
ROW LENGTH						MOUNTING		OPTIONS
4 4' Single 8 8' Single --- Indicate row length in 4' increments. ¹						P Plaster Flange		LR Left/Right Switching (2-Lamp only) EL One Emergency Battery Pack Per Row ^{3,4,6} EMC One Emergency Circuit ^{3,4,5,6} NL Night Light Circuit ^{3,4,5,6} GLR Fast Blow Fuse GMF Slow Blow Fuse CSA UL listed or CSA certified for Canada WIH wiHUBB Enabled ⁴
						BALLAST		
						E Electronic, Instant Start, (Std. for T8) EP Electronic, Programmed Start (Std. for T5 & T5HO, optional for T8) ED Electronic, Dimming (Must Specify) ³ ESD Electronic, Step Dimming (Contact factory) ³		

¹ Rows over 8' will be configured by Alera. Example: 16' will be (2) 8'. For alternate configurations, contact factory.

² Lamps may cause visible socket shadow in downlight component.

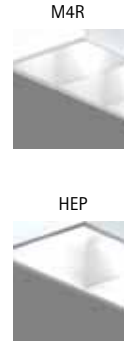
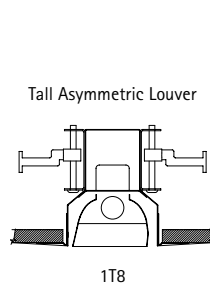
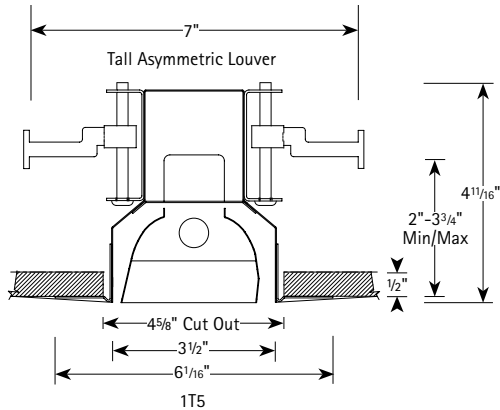
³ Specify dedicated voltage.

⁴ Not available with all configurations; some limitations apply. Contact factory for details.

⁵ One extra feed drop per row with through wiring. (Standard is one 4ft lamp per circuit.)

⁶ For additional, specify quantity before nomenclature (Example: 2EL120, EMC277).

CROSS SECTION



PHOTOMETRIC DATA

LUMINAIRE DATA Test 14895

Luminaire	MA-1T5-HEP-EP Microlyne® Beams 3.5" x 48" 1-Lamp with 15 Cell 1WW Louver
Ballast	ICN-2S28
Ballast Factor	1.03
Lamp	F28T5
Lumens per Lamp	2600
Watts	33
Shielding Angle	0° = 19 90° = 33

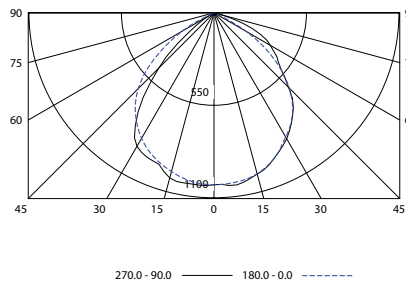
ZONAL LUMEN SUMMARY

Zone	Lumens	% Lamp	% Fixt.
0-30	807	31.0	36.0
0-40	1312	50.5	58.5
0-60	2081	80.0	92.8
0-90	2242	86.2	100.0
0-180	2242	86.2	100.0

ENERGY DATA

Total Luminaire Efficiency	86.2%
Luminaire Efficacy Rating (LER)	70
Comparative Yearly Lighting Energy Cost per 1000 Lumens	\$3.43 based on 3000 hrs. and \$0.08 per KWH

INDOOR CANDELA PLOT



AVERAGE LUMINANCE (Candela/Sq. M.)

	90.0	135.0	180.0	225.0	270.0
0.0	1022	1022	1022	1022	1022
7.5	1032	1027	1015	1024	1026
15.0	992	998	986	1010	1016
22.5	935	942	935	961	952
30.0	864	865	863	879	916
37.5	768	770	768	780	741
45.0	627	656	631	600	464
52.5	483	501	445	351	183
60.0	387	310	216	136	36
67.5	249	165	80	25	5
75.0	53	49	1	2	0
82.5	5	2	0	0	0
90.0	0	0	0	0	0

KEY PERFORMANCE FEATURES

Asymmetric wall wash places light at high angle along desired wall to fill in dark spots and create a softly lit vertical plane without excessive brightness. Shielding does not intrude below ceiling plane.

Test Date 2/14/08

MICROLYNE® FAMILY QUICK REFERENCE PAGE FINDER																				
	MR	MRA	MMR	MMRA	M	MA	MM	MMA	MDI	MDIA										
SYMMETRIC	X		X		X		X		X											
ASYMMETRIC		X		X		X		X		X										
GRID/ SLOT GRID GRID FLANGE/ SLOT GRID FLANGE	MRG	MRA G	MMR, MMRA G																	
FLANGE	MRF	MRAF	MMR, MMRAF																	
PLASTER	MRP	MRAP	MMR, MMRAP																	
CABLE					MCM MSTG CM	MACM MA STG CM	MM, MMA CM		MDICM MDI STG CM	MDIACM MDIA STG CM										
SURFACE					MSM MSTG SM	MASM MA STG SM	MM, MMASM													
WALL					MWM MSTG WM	MAWM MA STG WM	MM, MMA WM		MDIWM MDI STG WM	MDIAWM MDIA STG WM										