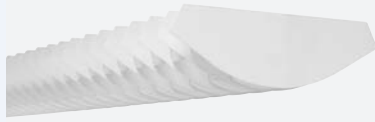
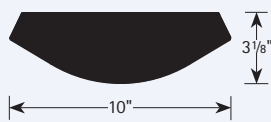


**PALETA**

**FEATURES**

- Blades and baffles add visual interest
- Direct/indirect luminaire
- Two, three, or four lamps in cross section
- Constructed of a heavy 20-gauge steel body with metal blades
- Controls compatible
- 3" x 10" suspended profile
- T8, T5, or T5HO lamps
- Variable optical distribution covers can be shipped installed or easily field retrofitted
- Control compatible for daylight harvesting, occupancy sensors, or dimming systems (small case ballast required)
- Consistent, predictable mounting locations simplify installation
- Excellent for schools and office environment

**SHAPE AND DIMENSIONS**

**PROJECT INFORMATION**

Project Name	Type
Catalog No.	Date

**CONSTRUCTION**

- Steel blades
- Perforated sections on the sides include a hole pattern that measures .078" in diameter (refer to the TID sheet for an illustration).
- Two, three, or four lamps in T8, T5, or T5HO
- Reflector systems allow the distribution mix to be changed between the upright and downlight components.

**FINISH**

The housing and all painted parts are treated with a multistage phosphate bonding process. Parts are then finished with a white powder coat finish for maximum consistent coverage and longevity.

**MOUNTING**

- Paleta is provided with either a fixed (Std.) or fully adjustable aircraft cable mechanism.
- End of cable barrel screws into a standard 1/4"-20 bolt brought down from the ceiling. All fixtures are suspended in modular increments and must be supported at each fixture housing end.

**LABELS AND ELECTRICAL**

- UL 1598 or CSA
- Prewired w/ T8, T5, T5ho electronic ballasts
- Quick connect plugs standard
- Damp label available on most models

<b>Name:</b>	PAL-3T8-WCB-E
<b>Test #:</b>	13509
<b>Efficiency:</b>	95.4%
<b>LER:</b>	88

**ORDERING INFORMATION**
**EXAMPLE: PAL-20-4T8-CM48-EU-MW**

MODEL	LAMP TYPE AND PROFILE	MOUNTING METHOD	BALLAST	FINISH
PAL Paleta	2T5 Two T5 Lamps <sup>1</sup> 3T5 Three T5 Lamps <sup>1</sup> 4T5 Four T5 Lamps <sup>1</sup> 2T5HO Two T5HO Lamps <sup>1</sup> 3T5HO Three T5HO Lamps <sup>1</sup> 4T5HO Four T5HO Lamps <sup>1</sup>	FCM Fixed Aircraft Cable Mount (Non-adjustable, Std.) CM Adjustable Aircraft Cable Mount PM Pendant Mount	E Electronic, Instant Start, (Std. for T8) EP Electronic, Programmed Start (Std. for T5 & T5HO, optional for T8) ED Electronic, Dimming (Must specify) ESD Electronic, Step Dimming Unless specified, Alera will use fewest ballasts possible.	MW Matte White (Std.) ZT ZET Metallic Silver (Small case) See MTX-1 for other color selections.
ROW LENGTH	DISTRIBUTION	ADJUSTABLE CABLE LENGTH	VOLTAGE	OPTIONS
4 4' Single 8 8' Single – Indicate row length over 8' in 4' increments	Blank 70% Uplight, 30% Downlight 50/50 50% Uplight, 50% Downlight <sup>2</sup> 20/80 20% Uplight, 80% Downlight <sup>2</sup> 5/95 5% Uplight, 95% Downlight <sup>2</sup>	48 48" 96 96" Other lengths available on request.	U 120V-277V 120 120V 277 277V 347 347V	DC Dust Cover (T8 only) LR Left/Right Switching (2-Lamp only) IBOB Inboard/Outboard Switching (3-Lamp and 4-Lamp only) EL One Emergency Battery Pack <sup>3,4</sup> EMC One Emergency Circuit <sup>4,5</sup> NL Night Light Circuit <sup>4,5</sup> GLR Fast Blow Fuse GMF Slow Blow Fuse TBAR T-Bar Mounting CSA UL listed or CSA certified for Canada DL Damp Label (Available on most models)

<sup>1</sup> T5/T5HO at risk for socket shadow in downlight component.

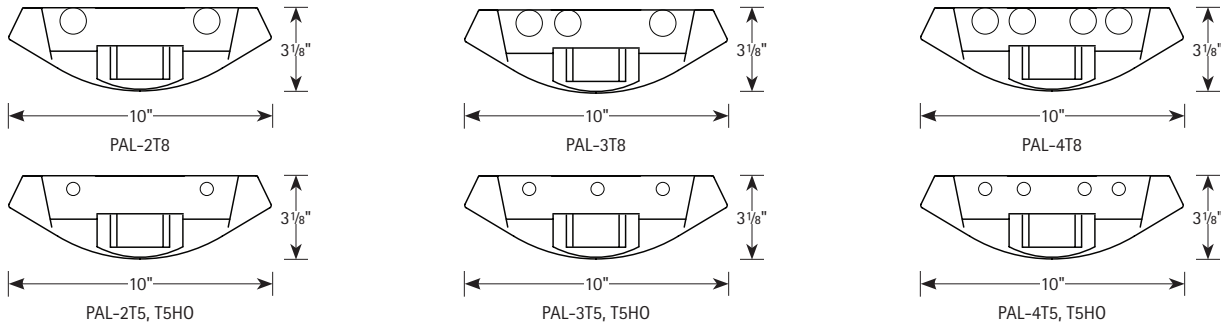
<sup>2</sup> Dust cover not available when using these optical distribution covers.

<sup>3</sup> Specify voltage. For additional, specify quantity before nomenclature (Example: 2EL120).

<sup>4</sup> Not available with all configurations; some limitations apply. Contact factory for details.

<sup>5</sup> One extra feed drop per EMC. (For through wiring, contact factory.)

**CROSS SECTION**



**PHOTOMETRIC DATA**

**LUMINAIRE DATA Test 13501**

Luminaire	PAL-2T8-WCB-E-4 Paleta Architectural Curve 10" x 48" 2-Lamp with White Flat Blade Baffles and Perforated Sides
Ballast	REL-2P32-SC
Ballast Factor	0.88
Lamp	F32T8
Lumens per Lamp	2950
Watts	59
Mounting	Pendant
Shielding Angle	0° = 21 90° = 42
Spacing Criterion	0° = 1.06 90° = 0.92
Luminous Opening in Feet	Length: 4.00 Width: 0.82 Height: 0.26

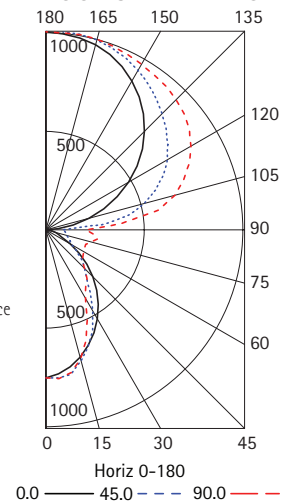
**AVG. LUMINANCE (Candela/Sq. M.)**

Angle	0.0	22.5	45.0	67.5	90.0
0	2465	2465	2465	2465	2465
30	1903	1797	1560	1345	1288
40	1625	1491	1121	1079	1100
45	1464	1300	1012	976	976
50	1284	1117	923	855	886
55	1073	950	789	819	902
60	826	814	684	834	941
65	613	665	669	859	998
70	545	532	672	912	1102
75	510	469	682	1061	1382
80	428	447	761	1369	1797
85	346	441	893	1512	1971

**COEFFICIENTS OF UTILIZATION (%)**

RC	80					70					50					0				
	RW	70	50	30	10	70	50	30	10	50	30	10	0	70	50	30	10	0		
1	89	85	81	78	79	76	73	70	59	57	55	22	18	18	18	18	18	18		
2	81	74	68	63	72	66	61	57	52	48	46	18	18	18	18	18	18	18		
3	74	65	58	53	66	58	53	48	46	42	38	15	15	15	15	15	15	15		
4	68	58	50	45	60	52	45	41	41	36	33	13	13	13	13	13	13	13		
5	62	51	44	38	55	46	40	35	36	32	28	12	12	12	12	12	12	12		
6	57	46	38	33	51	41	35	30	33	28	25	11	11	11	11	11	11	11		
7	53	41	34	29	47	37	31	26	30	25	22	9	9	9	9	9	9	9		
8	49	38	30	25	44	34	28	23	27	23	19	9	9	9	9	9	9	9		
9	46	34	27	23	41	31	25	21	25	20	17	8	8	8	8	8	8	8		
10	43	31	25	20	38	28	23	19	23	18	15	7	7	7	7	7	7	7		

**INDOOR CANDELA PLOT**



Test Date 9/18/03

**PHOTOMETRIC DATA**

**LUMINAIRE DATA Test 13507**

Luminaire	PAL-2T8-5/95-WCB-E-4 Paleta Architectural Curve 10" x 48" 2-Lamp w/ White Flat Blade Baffles Perf Sides and Solid Top
Ballast	REL-2P32-SC
Ballast Factor	0.88
Lamp	F32T8
Lumens per Lamp	2950
Watts	59
Mounting	Pendant
Shielding Angle	0° = 21 90° = 42
Spacing Criterion	0° = 1.08 90° = 0.99
Luminous Opening in Feet	Length: 4.00 Width: 0.82 Height: 0.26

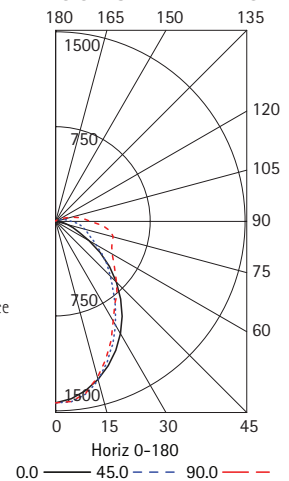
**AVG. LUMINANCE (Candela/Sq. M.)**

Angle	0.0	22.5	45.0	67.5	90.0
0	4712	4712	4712	4712	4712
30	3744	3451	3104	2926	2921
40	3254	2852	2469	2438	2551
45	2959	2538	2233	2289	2400
50	2635	2221	2062	2129	2264
55	2241	1918	1854	2015	2205
60	1787	1643	1663	1939	2190
65	1418	1375	1534	1958	2265
70	1197	1140	1492	2028	2446
75	1031	953	1509	2198	2735
80	856	820	1567	2367	2972
85	627	796	1566	2422	3054

**COEFFICIENTS OF UTILIZATION (%)**

RC	80					70					50					0				
	RW	70	50	30	10	70	50	30	10	50	30	10	0	70	50	30	10	0		
1	63	60	57	54	61	58	55	53	55	53	51	45	45	45	45	45	45	45		
2	57	52	48	44	55	51	47	43	48	45	42	37	37	37	37	37	37	37		
3	52	46	41	37	50	45	40	37	42	38	35	32	32	32	32	32	32	32		
4	48	41	36	32	46	40	35	31	38	34	30	27	27	27	27	27	27	27		
5	44	37	32	28	43	36	31	27	34	30	27	24	24	24	24	24	24	24		
6	41	33	28	24	40	33	28	24	31	27	24	21	21	21	21	21	21	21		
7	38	30	25	22	37	30	25	21	28	24	21	19	19	19	19	19	19	19		
8	36	28	23	20	35	27	23	19	26	22	19	17	17	17	17	17	17	17		
9	34	26	21	18	32	25	21	18	24	20	17	16	16	16	16	16	16	16		
10	31	24	19	16	31	23	19	16	22	19	16	14	14	14	14	14	14	14		

**INDOOR CANDELA PLOT**



Test Date 10/8/03