

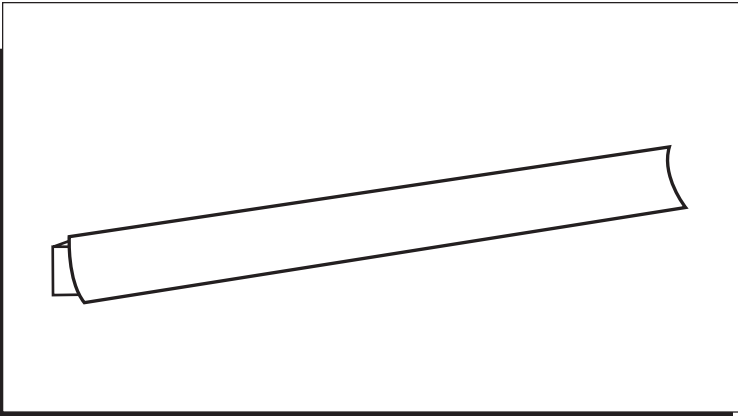


DIRECT/INDIRECT

PERIMETER C

1 OR 2 T8, RS OR HO LAMPS

TYPE



Project: _____

Location: _____

DESCRIPTION

The Perimeter series fixture is designed for direct/indirect perimeter lighting. Fully extruded aluminum fascia provides long uninterrupted high quality appearance. See MTX-1 for standard paint finishes or contact factory for walnut wood veneer attached directly to the aluminum extrusion.

CONSTRUCTION

Fixture is designed around basic channel construction of 20-gauge steel housing. Fascia is .125" thick extruded aluminum and available in lengths up to 20' (242"), fascia length is 2 inches longer than fixture. Fascia support brackets are durable 12-gauge steel, two required per fixture. Optional endcaps (.125" aluminum) are available for single fixture or row applications to provide a high quality end finish appearance. Fascia is positioned away from electrical portion of luminaire for optimum reflectivity and brightness control. Splice assemblies act as light seal and aligner when joining fascias together for rows. Fixtures, fascia, brackets, splice assemblies, and end plates are ordered and shipped separately.

FINISH

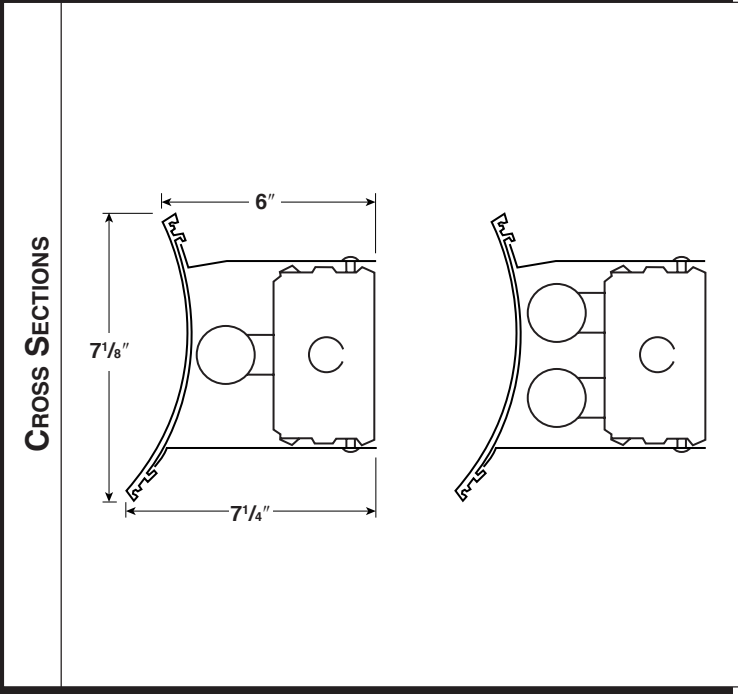
Available fascia standard finishes are baked satin or gloss enamel. Matte white is supplied as standard unless otherwise specified. For special colors or finishes, please contact your Alera representative. All non fascia components are finished with a white enamel.

OPTIONS

Perimeter C is only available as a wall mounted fixture. Fascia is available as inside and outside 90° corners. Other angled corners may be ordered, contact your Alera representative.

LABELS AND ELECTRICAL

All fixtures bear appropriate UL or CSA labels. Fixtures are wired with C.B.M., E.S.B. ballasts. Available in 120, 277, and 347 volt.



Dimensions and specifications subject to change without notice.

Model	PER - Perimeter Series	Lamp Type & Profile	1T8 - One T8 Lamp 2T8 - Two T8 Lamps	Voltage	120 - 120V 277 - 277V 347 - 347V U - 120V-277V	Fixture Length	Lengths up to 20 feet, in 1 foot increments 2" over row length.
	Profile		C - Concentrating Distribution		Housing Finish		MW - Matte White (Std.) See MTX-1 for other color selections.
Row Length	Specify entire row	Mounting Method	WM - Wall Mount	Ballast Type	E - Electronic, Instant Start (Standard for T8) ED - Electronic Dimming, 0-10V Standard Unless specified, Alera will use fewest ballasts possible.	Options	End Plates UB - Upper Lower Switching* *Switching configuration must be provided.

AL 10/07