

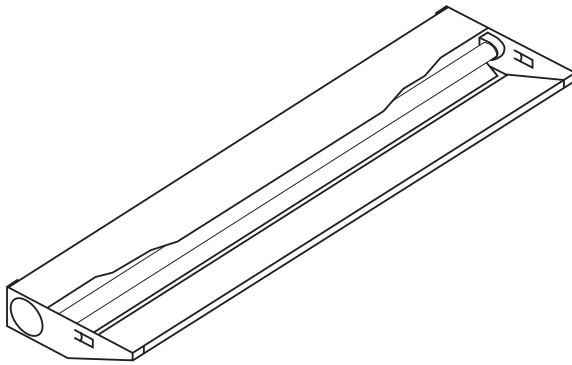


INDIRECT

# PIC, COVELIGHT T5

TYPE

6 1/4" x 1 7/8"



Project: \_\_\_\_\_

Location: \_\_\_\_\_

## CONSTRUCTION

The PIC Covelight is constructed of die-formed, cold rolled, code gauge steel to provide the smallest profile steel covelight. Its nominal 6 1/4" x 1 7/8" size and choice of two lamp cross sections allows flexibility while providing excellent optics. The precisely formed reflector places maximum candela at low angles for uniform ceiling and wall illumination, and eliminates socket shadows on the wall.

## FINISH

Reflector finish is standard high reflectance white powder coat and high reflectance specular aluminum. All painted parts are treated with a five-stage phosphate bonding process and finished with a high-temperature baked white enamel.

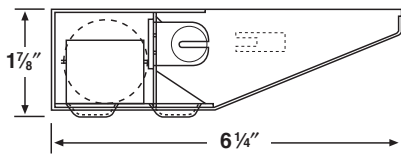
## INSTALLATION

The PIC is designed for lay-in installation in architectural coves. Bend over tabs allow a quick and simple method to secure fixtures in rows. Holes are furnished in housing bottom for optional screw attachment where fixture must be secured to structure.

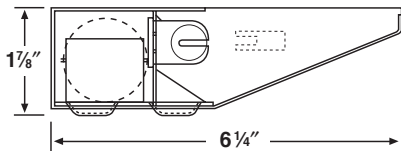
## LABELS AND ELECTRICAL

All fixtures bear appropriate UL or CSA labels. Fixtures are prewired with class 'P' ballasts for T5 or T5HO operation as appropriate, available in 120, 277, or 347 volt. For rapid field installation, all fixtures mounted in-row are furnished with single circuit through wiring and quick-connect plugs as standard.

CROSS SECTIONS



PIC1T5



PIC1T5HO

Dimensions and specifications subject to change without notice.

ORDERING INFORMATION

### Series

PIC - Perimeter Indirect Covelight

### Row Length

Specify entire row

### Lamp Profile

1T5 - One T5 Lamp  
1T5HO - One T5HO Lamp

### Voltage

120 - 120V  
277 - 277V  
347 - 347V  
U - 120V-277V

### Ballast Type

EP - Electronic, Programmed Start (Standard for T5 & T5HO, optional for T8)  
Unless specified, Alera will use fewest ballasts possible.

### Fixture Length

Single or Row Individual Lengths. Note: Fixtures in rows are modular and will be identified as components within the row by their individual lengths.

Lengths for this product are:

- 2 = 2'
- 3 = 3'
- 4 = 4'
- 6 = 6'
- 8 = 8'

### Options

- DL - Damp Label
- GLR - Fast Blow Fuse
- GMF - Slow Blow Fuse
- EL - Emergency Battery Pack
- CSA - UL listed or CSA certified for Canada

# PHOTOMETRICS

ONE LAMP W/WHITE REFLECTOR

**Cat. No.:** PIC-1T5HO-EP-MIRO4

**Lamps:** One F54T5

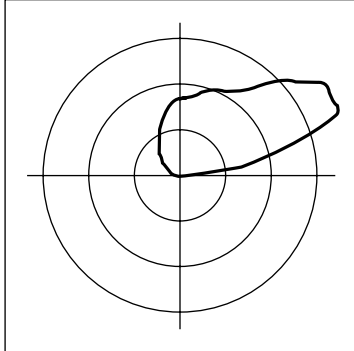
**Ballasts:** QT1X54/120PHO

**Test No.:** 12757

**Efficiency:** 88.3%

**Max Candela:** 1954 @ 120°

Candela Curve (90° Plane)



### CANDLEPOWER

| Deg. | Parl. | 45°  | Norm. |
|------|-------|------|-------|
| 90   | 0     | 0    | 0     |
| 95   | 46    | 256  | 179   |
| 100  | 137   | 747  | 726   |
| 105  | 225   | 1202 | 1181  |
| 110  | 308   | 1374 | 1697  |
| 115  | 386   | 1448 | 1945  |
| 120  | 457   | 1350 | 1954  |
| 125  | 524   | 1284 | 1858  |
| 130  | 585   | 1163 | 1680  |
| 135  | 641   | 1053 | 1530  |
| 140  | 690   | 1020 | 1340  |
| 145  | 734   | 1011 | 1180  |
| 150  | 773   | 997  | 1124  |
| 155  | 805   | 979  | 1083  |
| 160  | 833   | 959  | 1035  |
| 165  | 854   | 936  | 987   |
| 170  | 870   | 911  | 940   |
| 175  | 879   | 890  | 898   |
| 180  | 885   | 885  | 885   |

### ENERGY DATA

**Energy Cost: \$3.69\*** **LER: 65**

**Input Watts: 60** **BF: 1.00**

\*Comparative annual lighting energy cost per 1000 lumens based on 3000 hours and \$0.08 per KWH.

### COEFFICIENTS OF UTILIZATION

Effective Floor Cavity Reflectance = 0.20

| RC<br>RW | 80 |    |    |    | 70 |    |    |    | 50 |    |    | 0 |
|----------|----|----|----|----|----|----|----|----|----|----|----|---|
|          | 70 | 50 | 30 | 10 | 70 | 50 | 30 | 10 | 50 | 30 | 10 | 0 |
| 1        | 76 | 73 | 70 | 67 | 65 | 62 | 60 | 58 | 43 | 41 | 40 | 0 |
| 2        | 70 | 64 | 59 | 55 | 59 | 55 | 51 | 47 | 37 | 35 | 33 | 0 |
| 3        | 63 | 56 | 50 | 45 | 54 | 48 | 43 | 39 | 33 | 30 | 28 | 0 |
| 4        | 58 | 49 | 43 | 38 | 49 | 42 | 37 | 33 | 29 | 26 | 23 | 0 |
| 5        | 53 | 43 | 37 | 32 | 45 | 37 | 32 | 28 | 26 | 22 | 20 | 0 |
| 6        | 48 | 39 | 32 | 27 | 41 | 33 | 28 | 24 | 23 | 19 | 17 | 0 |
| 7        | 44 | 35 | 28 | 24 | 38 | 30 | 24 | 21 | 21 | 17 | 15 | 0 |
| 8        | 41 | 31 | 25 | 20 | 35 | 27 | 21 | 18 | 18 | 15 | 13 | 0 |
| 9        | 38 | 28 | 22 | 18 | 32 | 24 | 19 | 16 | 17 | 13 | 11 | 0 |
| 10       | 35 | 25 | 20 | 16 | 30 | 22 | 17 | 14 | 15 | 12 | 10 | 0 |

### ZONAL SUMMARY

| Zone   | Lumens | Lamp | Fixture |
|--------|--------|------|---------|
| 0-90   | 0      | 0.0  | 0.0     |
| 90-120 | 1456   | 33.1 | 37.5    |
| 90-130 | 2137   | 48.6 | 55.0    |
| 90-150 | 3191   | 72.5 | 82.1    |
| 90-180 | 3887   | 88.3 | 100.0   |
| 0-180  | 3887   | 88.3 | 100.0   |

AL 10/07



701 Millennium Blvd  
Greenville SC 29607 • (864) 678-1000  
www.aleralighting.com  
We are architectural fluorescent lighting

Subject to change without notice.



Hubbell Lighting, Inc.