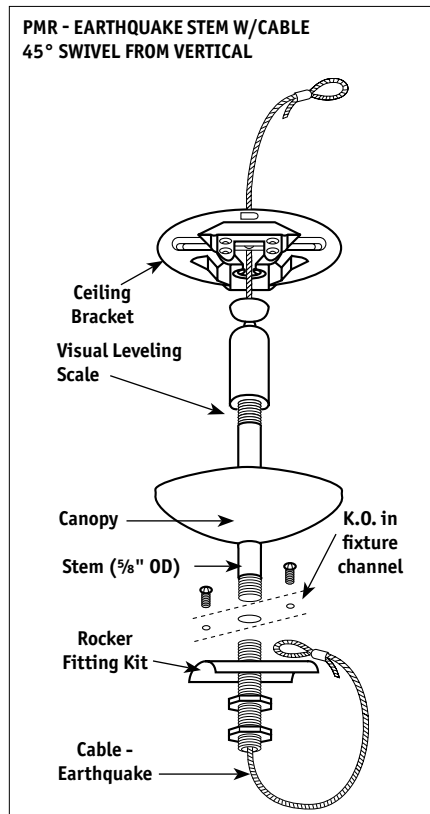
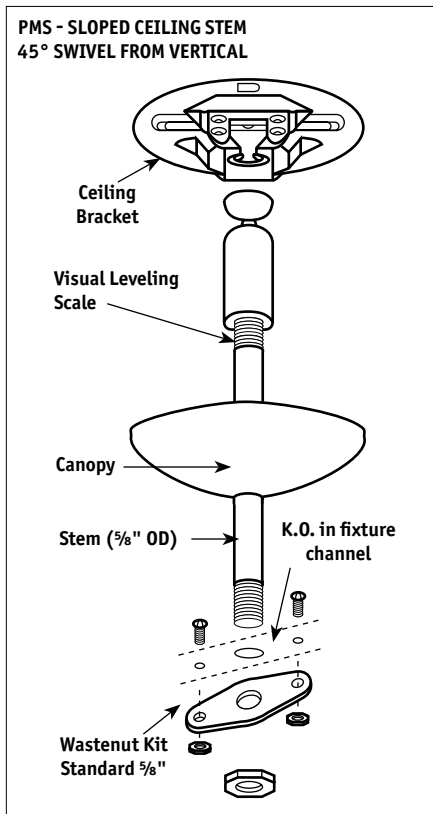
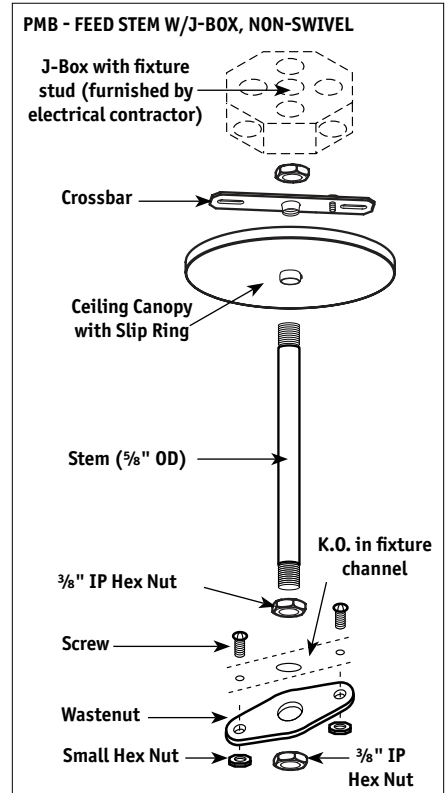
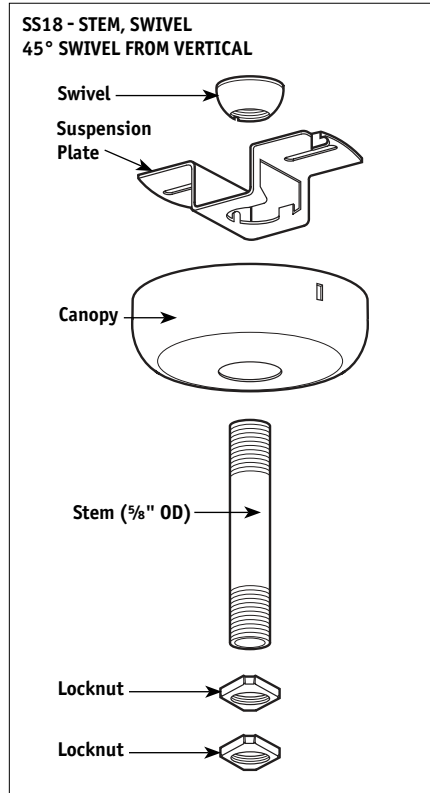
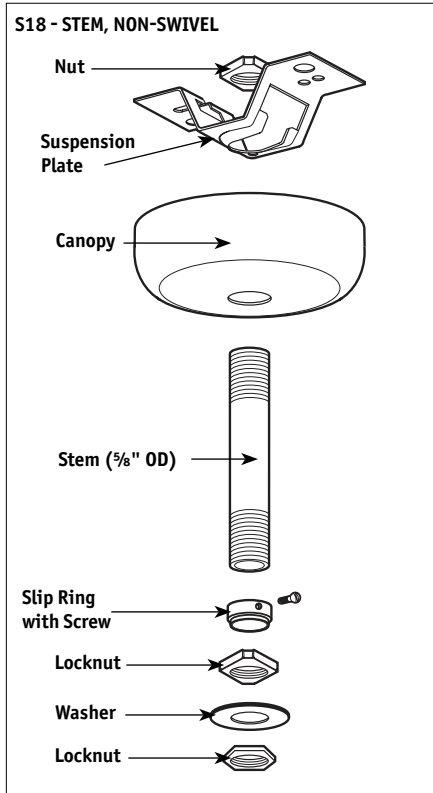


PENDANT OPTIONS

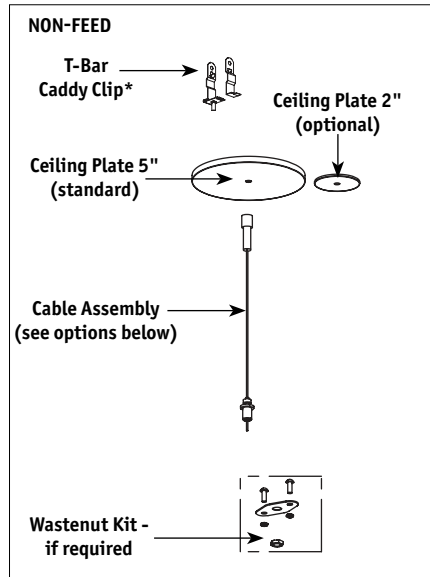
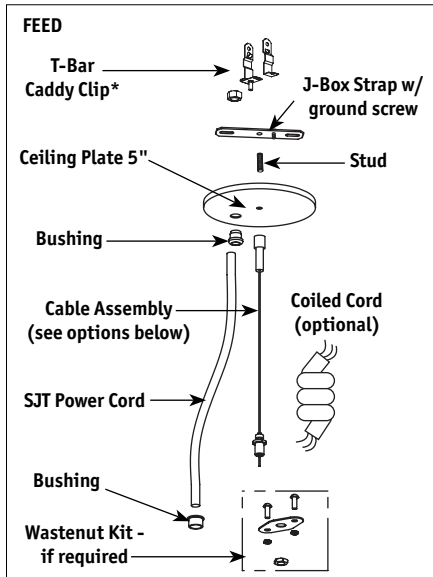


PENDANT OPTIONS AVAILABLE FOR:

F4
IB66
IT4
IT6
IT9
MS6
MS8
S6
S8

For pendant mounting on products not listed here, please contact factory.

CABLE OPTIONS

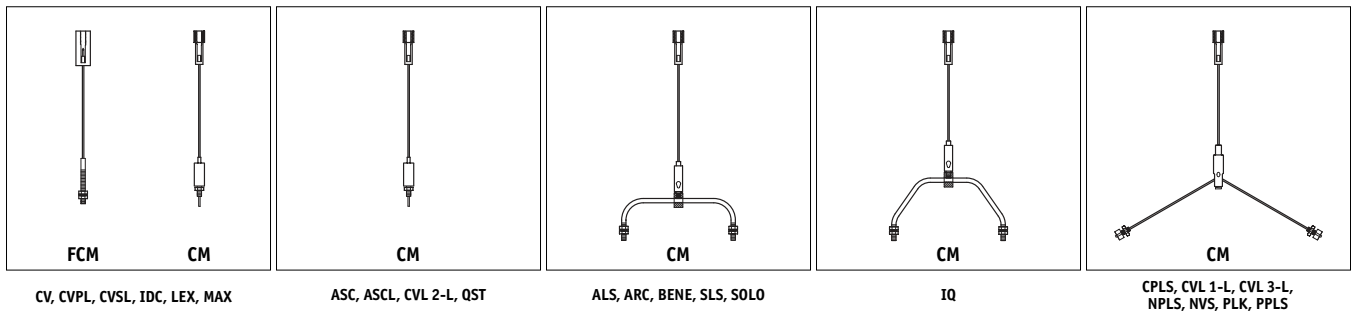


WASTENUT KIT REQUIRED
F4, IB66, IT4*, IT6*, IT9*, ME*
MS6, MS8, S6, S8
 *Indirect and direct/indirect fixtures.

WASTENUT KIT NOT REQUIRED
ASC¹, ALS¹, AVL¹, CV², IDC², IQ¹,
IT4³, IT6³, IT9³, LEX², MAX²,
QST², SLS¹, SOLO¹
¹3/8" IP Hex Nut
²1/4" IP Hex Nut
³3/4" IP Hex Nut, direct fixtures require locknut.

*Add TBAR in the suffix of the catalog number if required.

CABLE ASSEMBLY OPTIONS

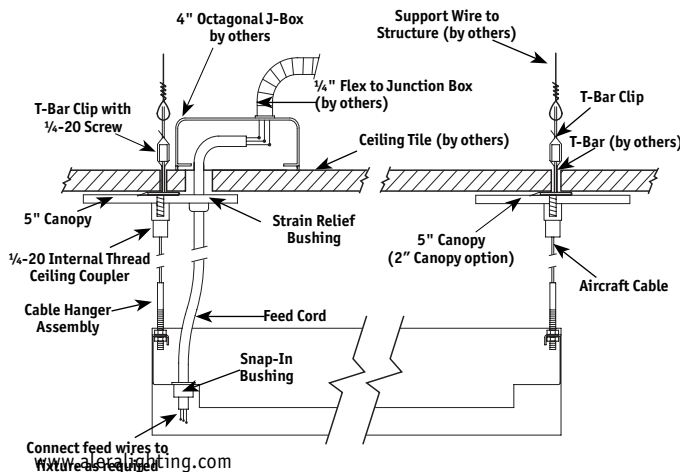


T-BAR MOUNTING OPTION

Alera cable hangers can be installed directly to the T-Bar grid. The IDS clip and additional length of SJT cord will be supplied when the suffix "TBAR" is added to the catalog number.

Feed End

Non-Feed End



JUNCTION BOX ACCESSORY FOR DROP CEILING INSTALLATION

#93016675- ordered separately

- UL Listed 2 1/8" deep octagonal box to mount over T-Bar
- Complies with Article 400.8 NEC with issues concerning cords thru drop ceilings
- Independent support tab provided on back of box for independent support for both junction box and attached lighting fixture.
- Ground screw hole location and 1/2" knockouts located for easier access after mounting.
- Knockouts provided for regular type ceiling tiles to keep junction box flush with ceiling tile edge.

