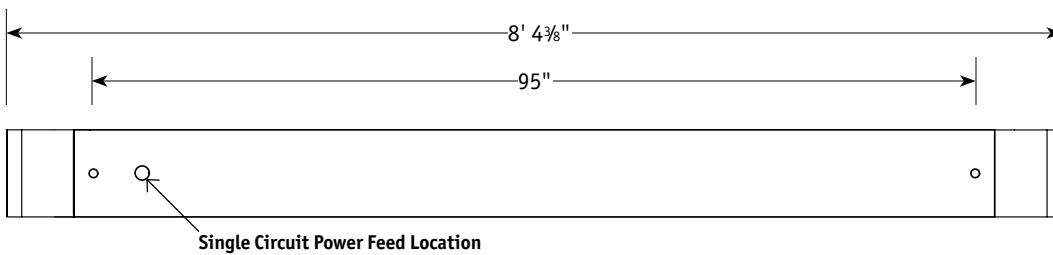
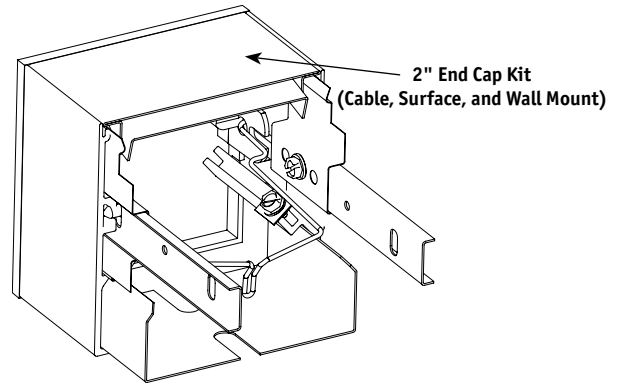


STAGGERED LAMPS - CABLE, SURFACE, AND WALL MOUNT

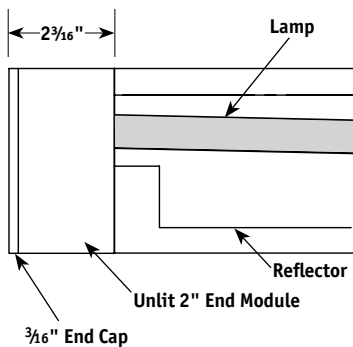
Where unbroken lines of light are desired, staggered lamps are required. Staggered lamps are available in Microlyne 3½" Cable, Surface, or Wall Mount using T5 or T5HO lamps. A 2" end treatment is applied to maintain modular mounting points with continuously lit shielding media. Each row will grow 4" below the ceiling plane. See examples below.

Staggered lamps are not available in the MM series.

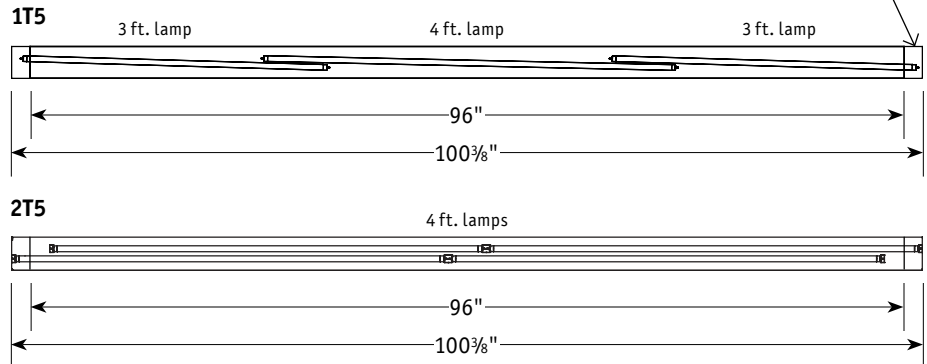
STAGGERED MODULES



STAGGERED END DETAIL



8 FT. SINGLE STAGGERED LAMP DETAIL



2" end is solid; lamp end is not visible from below, creating a fully lit lamp cavity.

Microlyne® Staggered				
	1T5		2T5	
	ROW LENGTH	LAMP CONFIGURATION	ROW LENGTH	LAMP CONFIGURATION
4'	4' 3/8"	(1) 4'	4' 3/8"	(2) 4'
8'	8' 4 3/8"	(2) 3' (1) 4'	8' 4 3/8"	(4) 4'
12'	12' 4 3/8"	(2) 3' (2) 4'	12' 4 3/8"	(6) 4'
16'	16' 4 3/8"	(4) 3' (2) 4'	16' 4 3/8"	(8) 4'
20'	20' 4 3/8"	(4) 3' (3) 4'	20' 4 3/8"	(10) 4'
24'	24' 4 3/8"	(6) 3' (3) 4'	24' 4 3/8"	(12) 4'
28'	28' 4 3/8"	(6) 3' (4) 4'	28' 4 3/8"	(14) 4'
32'	32' 4 3/8"	(8) 3' (3) 4'	32' 4 3/8"	(16) 4'
48'	48' 4 3/8"	(12) 3' (6) 4'	48' 4 3/8"	(24) 4'